

Zehnder TVA-P

Technical specification for grille housing



General

Zehnder TVA-P grille housings are intended for connecting disc valves and designer grilles with a connection width of DN 125. The maximum nominal air volume is 45 m³/h. The housing can be used either as a wall outlet or ceiling outlet. Due to the optimised connector position and carefully considered fastening concept, the housing can be used in brick-wall and dry-wall installations, as well as in concrete ceilings. The air volume regulation for the grille can be adjusted at the vent. The airflow of the supply and extract air valve can be set directly at the valve.



TVA-P 75, connection length 64 mm



TVA-P 75, connection length 300 mm



TVA-P 90, connection length 64 mm



TVA-P 90, connection length 300 mm



TVA-P mounting set DN125



Designer grilles, round



Designer grilles, square



Valve range Luna



Filter set



Air volume regulator



Precast concrete ceiling ring

Benefits

- Simple installation, as mounting bracket is fastened to housing and housing can be used for both supply and extract air
- High air output, can also be controlled with optional ComfoSet
- Maximum hygiene due to easy cleaning
- Versatile solution for use in walls or ceilings, in timber and solid constructions

Specifications

Data	Description
Housing material	Polyethylene
Permissible operating temperature	-25 °C to +60 °C
Extract air filter	Optional (ISO coarse ≥ 45% (G3))
Fire protection class	E (according to DIN EN 13501-1)
Air tightness class	D

Article numbers

Description	Article number
TVA-P 75 grille housing DN125, 2 x 75, connection length = 64 mm	990 326 121
Grille housing TVA-P 75 DN125, 2 x 75, connection length = 300 mm	990 326 125
Grille housing TVA-P 90 DN125, 1 x 90, connection length = 64 mm	990 326 122
TVA-P 90 grille housing DN125, 1 x 90, connection length = 300 mm	990 326 126
TVA-P mounting set DN125 for mounting in concrete	990 326 127
ComfoSet 75 Air volume regulator for ComfoTube 75	990 320 026
ComfoSet 90 Air volume regulator for ComfoTube 90	990 320 027
Filter set for designer grilles, DN 125, ISO Coarse ≥ 45% (G3), contents 10 pcs.	990 320 032
Precast concrete ceiling ring	990 326 270
Supply air valve ComfoValve Luna S 125	705 613 126
AirBlocker outflow restrictor for ComfoValve Luna S125	705 613 001
Extract air valve ComfoValve Luna E125 with filter DN 100	705 613 127
Filter set for ComfoValve Luna E125/ DN 100, ISO Coarse ≥ 45% (G3)	990 320 031
Zehnder Sans soucis round, white	990 322 117
Zehnder Sans soucis round, inox	990 322 116
Zehnder Sacré coeur round, white	990 322 119
Zehnder Sacré coeur round, inox	990 322 118
Zehnder Venezia round, white	990 320 781
Zehnder Venezia round, inox	990 320 780
Zehnder Torino round, white	990 320 791
Zehnder Torino round, inox	990 320 790
Zehnder Venezia square, white	990 322 090
Zehnder Venezia square, inox	990 322 089
Zehnder Torino square, white	990 320 792
Zehnder Torino square, inox	990 322 088

Tender specifications

TVA-P grille housing

Zehnder TVA-P grille housing for connecting disc valves and Zehnder designer grilles with a connection width of DN125. Connection option consisting of 2x ComfoTube 75 ventilation tubes for TVA 75; and one ComfoTube 90 ventilation tube for TVA 90. The supplied mounting brackets allow easy fastening of the grille housing. The housing is delivered closed for maximum hygiene. The housing can be used either as a wall outlet or ceiling outlet. Due to the optimised connector position and carefully considered fastening concepts, the housing can be used in brick-wall and dry-wall installations, as well as in concrete ceilings.

The delivery includes guard, 2x mounting brackets and locking slide. Nominal air volume max. 45 m³/h

TVA-P mounting set DN125, for mounting in concrete

Zehnder mounting set for mounting in concrete of the grille housing TVA-P 75 (990 326 121) and TVA-P 90 (990 326 122) with connection length 64 mm. The mounting set enables fast nail fastening in the concrete formwork.

Designer grille

Zehnder designer grille for use in extract air in combination with the TVA-P 75/90 grille housing. The designer grilles are available with various hole patterns, as well as in a stainless steel version or a white paint finish.

Valve

Disc valve suitable for installation in walls and ceilings. The air volume can be adjusted smoothly at the valve. The valve can be used with TVA-P air outlets. The valve is inserted into the housing without the use of tools, and is firmly secured in the housing by a rubber seal.

Filter set

Zehnder filter set for extract air valves and designer grilles for TVA-P grille housing to protect the ventilation tubes against dust and dirt. Filter class ISO coarse $\geq 45\%$ (G3). The filter is clamped between the outlet and extract air housing. Sold in packs: 10 pcs.

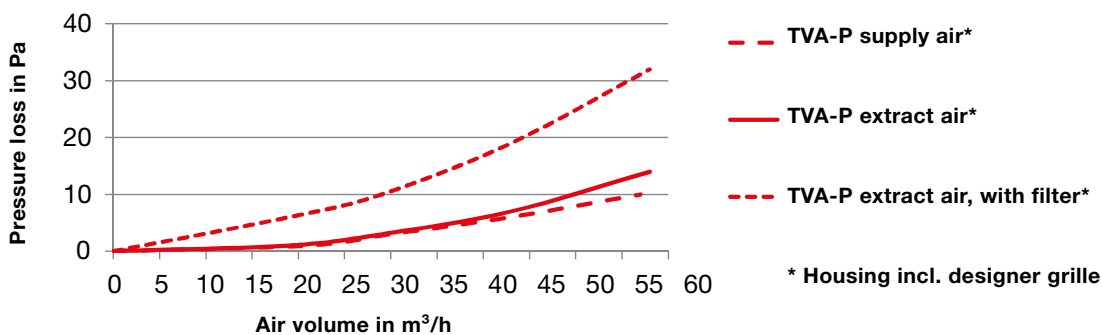
Air volume regulator

Zehnder ComfoSet air volume regulator for silent reduction of the airflow in air distribution systems. The air volume regulator can be used both in the distribution manifold and in the duct connection on the air outlet, during commissioning or subsequently in the Zehnder ComfoTube ventilation tube.

Precast concrete ceiling ring

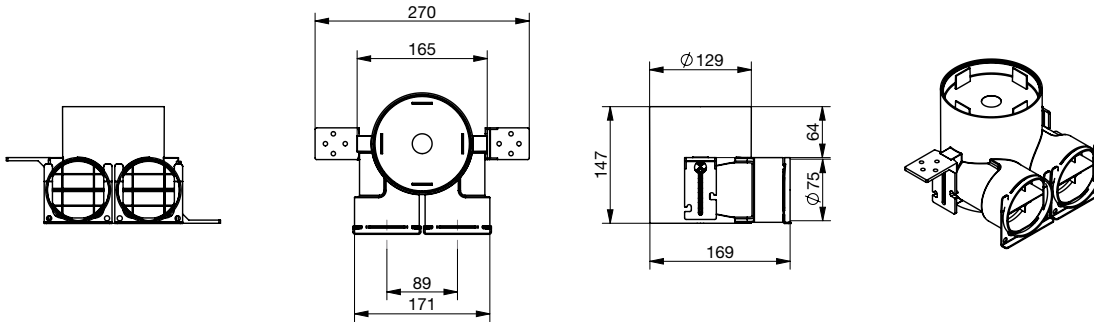
Zehnder precast concrete ceiling ring for limiting the precast concrete ceiling openings for the Zehnder TVA-P grille housing. The precast concrete ceiling ring is made from stainless steel and is embedded into the precast concrete ceiling. Thus, a precise-fit opening is guaranteed for subsequent TVA-P installation.

Pressure loss graph

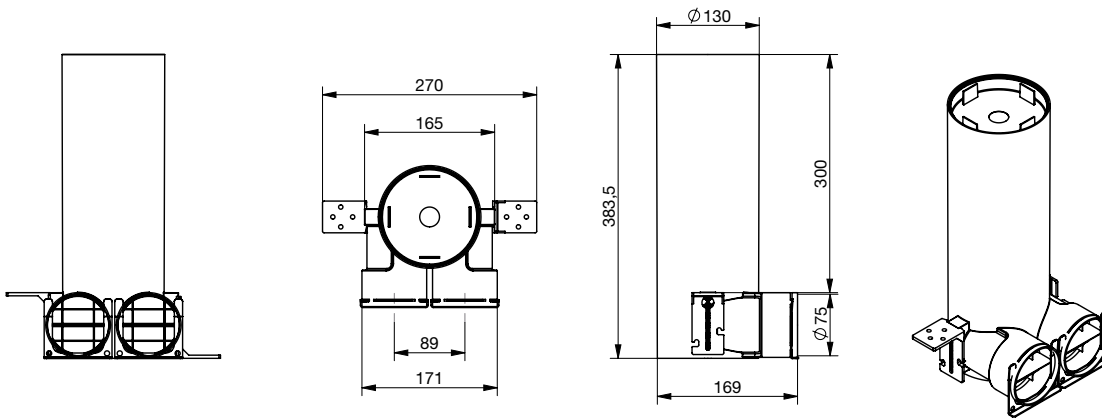


Dimensional drawings

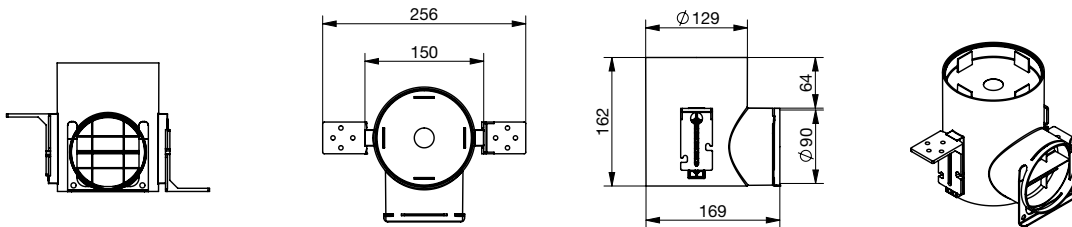
TVA-P 75, connection length 64 mm



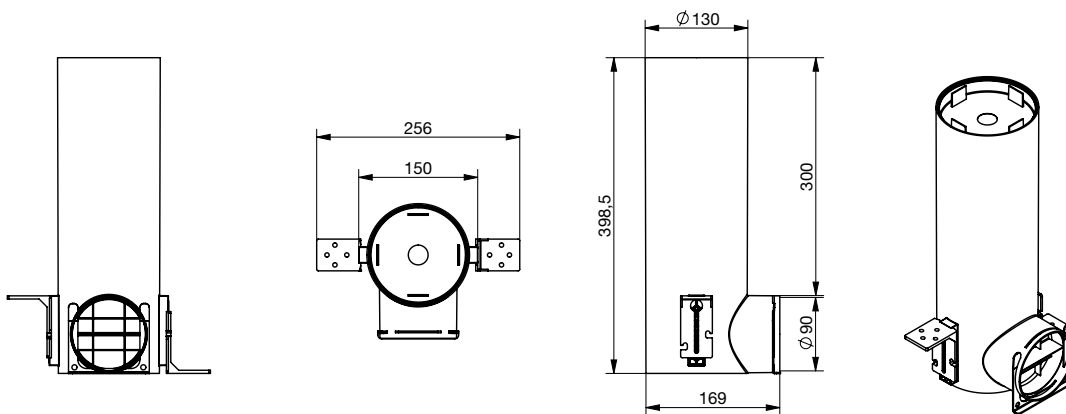
TVA-P 75, connection length 300 mm



TVA-P 90, connection length 64 mm



TVA-P 90, connection length 300 mm



Z-SI-V0220-CSY-TES-TS056, en, subject to change without notice