

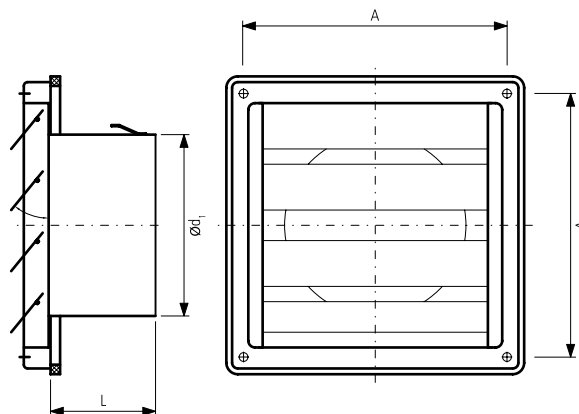
# External Non-Return Lamella Flap Valve

# USMS

[Download Wentyle](#)  
[Download AlnorCAM](#)  
[Buy via B2B](#)



## Dimensions



## Description

The USMS external non-return flap valve is made of acid-proof sheet metal and suitable for wall mounting using screws. It serves as an roof ejector, with self-closing lamellae protecting the outlet against rainfall.

### Example identification

Product code: **USMS** - **aaa**

type \_\_\_\_\_  
Ød \_\_\_\_\_

type	Ød, [mm]	A x A [mm]	L [mm]	air flow [cm <sup>2</sup> ]
USMS-100	100	137 × 137	52	70
USMS-125	125	167 × 167	52	112
USMS-150	150	167 × 167	62	164