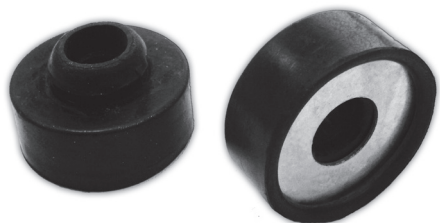


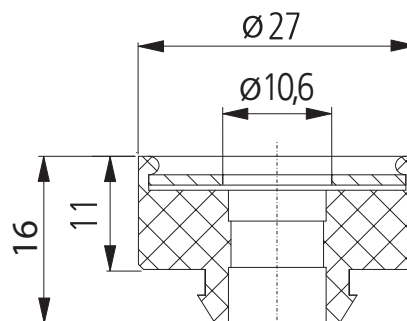
Suspensions for square ducts

AMORT

[Download Wentyle](#)
[Download AlnorCAM](#)
[Buy via B2B](#)



Dimensions



Description

AMORT shock absorber is used for ventilaton duct suspension systems It is made of EPDM rubber with galvanized sheet metal washer. AMORT shock absorber is used to absorb vibration.

Example identification

Product code: **AMORT**

typ _____