

NAFA – SPRING RETURN DAMPER ACTUATOR

20 Nm | 2-POINT CONTROL, SPRING RETURN



The appearance of the product may differ from the illustration. Technical specifications are subject to change.

NAFA...20 (T) SERIES

NAFA series Spring Return actuators are developed for general air damper application, rotary valve and other devices which require a fail-safe function. During normal operation, the actuator motorized the device. In the event of power outage, the actuator springs back to its original position.

- Torque: 20 Nm
- Damper size 4.0 m²
- Power supply 24 V_{AC/DC} and 230 V_{AC}
- 2-point control
- Shaft dimensions – Ø 10..20 mm / square 7...14 mm
- Selectable direction of rotation
- Actuator with 1 m connection cable
- 2 Fixed auxiliary switches (SPDT)
- Ręczne przestawianie przy użyciu korbki
- Thermal sensor option available

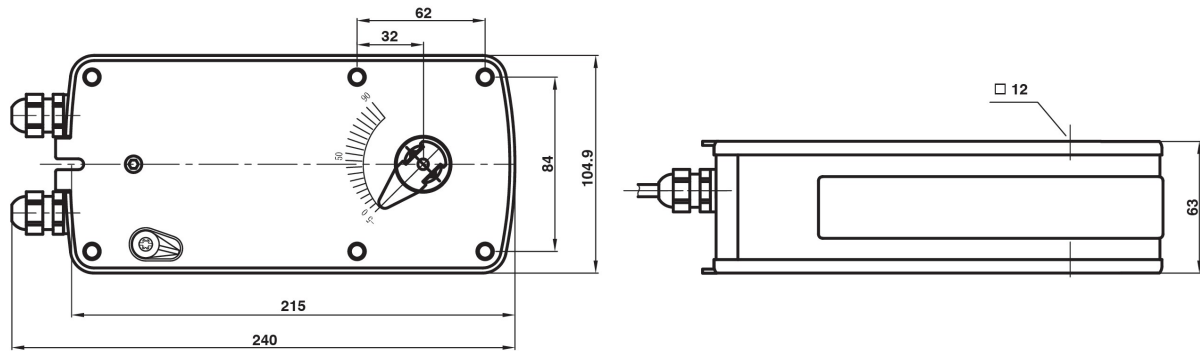
MODEL SELECTION TABLE

Model/type	Torque	Power supply	Running time	Auxiliary switches
NAFA 1-20	20 Nm	24 V _{AC/DC} ± 10%	110...140 s (spring return <30 s)	-
NAFA 1-20S	20 Nm	24 V _{AC/DC} ± 10%	110...140 s (spring return <30 s)	2 x SPDT (fixed + adjustable)
NAFA 2-20	20 Nm	230 V _{AC} ± 10%	110...140 s (spring return <30 s)	-
NAFA 2-20S	20 Nm	230 V _{AC} ± 10%	110...140 s (spring return <30 s)	2 x SPDT (fixed + adjustable)

NAFA – SPRING RETURN DAMPER ACTUATOR

20 Nm | 2-POINT CONTROL, SPRING RETURN

ACTUATOR DIMENSIONS [mm]



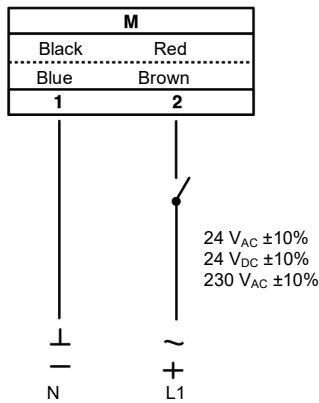
TECHNICAL SPECIFICATION

	NAFA 1-20 (T)	NAFA 2-20 (T)
Torque	20 Nm	20 Nm
Damper size	4.0 m ²	4.0 m ²
Shaft dimensions	Ø 10...20 mm / □ 7...14 mm	Ø 10...20 mm / □ 7...14 mm
Power supply	24 V _{AC/DC} ± 10%	230 V _{AC} ± 10%
Frequency	50...60Hz	50...60Hz
Control signal	2-point control	2-point control
Power consumption		
• In operation	7.0 W	8.0 W
• End position	2.0 W	5.5 W
Rated power	8.0 VA	8.0 VA
Electrical connections	Cable 1 m	Cable 1 m
Auxiliary switch rating	3 (1.5) A / 250 V _{AC}	3 (1.5) A / 250 V _{AC}
Protection class	Class III ⚡	Class II ⚡
Angle of rotation	90° (95° mechanical limitation)	90° (95° mechanical limitation)
Weight	2.5 kg	2.5 kg
Durability	60,000 rotations	60,000 rotations
Trigger temperature of thermal sensor	> 72°C	> 72°C
Sound level	40 dB	40 dB
IP protection class	IP54	IP54
Working temperature range	-20°C...50°C as per IEC 721-3-3	-20°C...50°C as per IEC 721-3-3
Storage temperature	-30°C...+60°C / IEC 721-3-2	-30°C...+60°C / IEC 721-3-2
Ambient humidity	5...95% rH (non condensing) / EN	5...95% rH (non condensing) / EN
Maintenance	Maintenance free	Maintenance free
Principle of operation	Type 1 (acc. to EN 60730-1)	Type 1 (acc. to EN 60730-1)
Electromagnetic compatibility	CE & ISO 9000 to EN / EEC	CE & ISO 9000 to EN / EEC

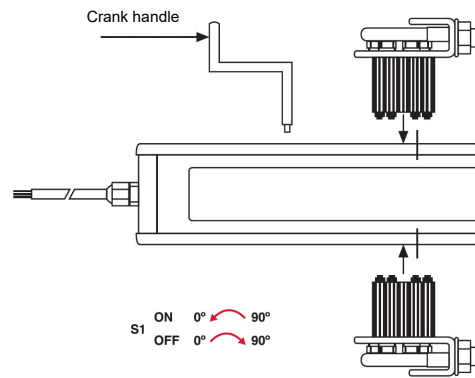
NAFA – SPRING RETURN DAMPER ACTUATOR

20 Nm | 2-POINT CONTROL, SPRING RETURN

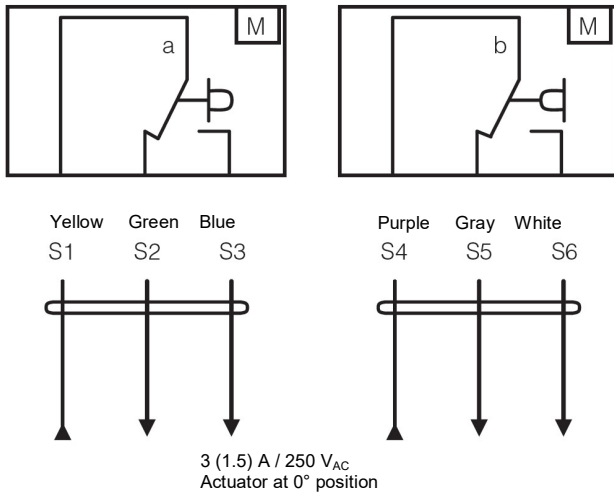
WIRING DIAGRAM NAFA...20 (T)
POWER SUPPLY 24 V_{AC/DC} / 230 V_{AC}



CHANGING DIRECTION OF ROTATION NAFA... 20 (T)

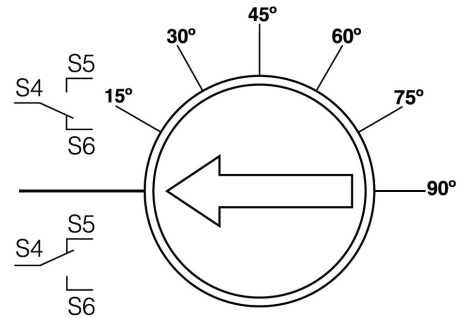


WIRING DIAGRAM NAFA... 20 (T)
AUXILIARY SWITCH



AUXILIARY SWITCH NAFA... 20 (T)

Switch a factory-set at 5°. The auxiliary switch can be adjusted in the range 0°...90°.



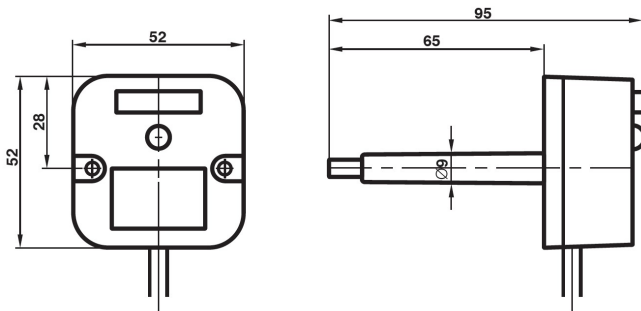
Switch a factory-set at 5°.

Switch b adjustable 0°...90°.

NAFA – SPRING RETURN DAMPER ACTUATOR

20 Nm | 2-POINT CONTROL, SPRING RETURN

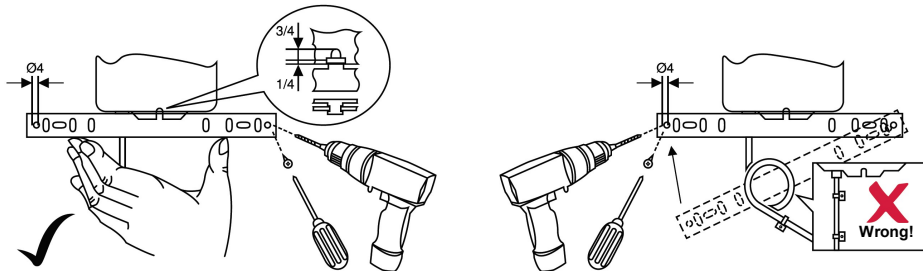
■ NTS72 thermal sensor



NTS 72 thermal sensor consist of both ambient and duct sensor (TS1 and TS2, respectively).

- TS1 will trip open when the ambient temperature rise above 72°C.
- TS2 will trip open when the duct temperature rise above 72°C.

■ Installation instruction



⚠ IMPORTANT REMARKS

This actuator includes electrical and electronic components and may not be disposed as household waste. Please consider the local valid legislation.



24 V_{AC/DC}: Connect via safety isolating transformer.

230 V_{AC}: To isolate from the main power supply, the system must incorporate a device which disconnects the phase conductor (with at least a 3mm contact gap.)

Consult NENUTEC representatives for specific requirements and material selections for your intended application.

The entire content of this technical datasheet is protected by copyright.
All rights are reserved ©.

The performance specifications are nominal and conform to acceptable industry standards. Nenuotec shall not be liable for damages resulting from misapplication or misuse of its products.

CUSTOMISED VERSION

NENUTEC offers you actuators in customised versions, e.g. with your own brand name, with colour-coordinated applications and with your particular demand on request.

For further information please contact us or our local representative.

Nenuotec Polska

00-236 Warszawa
ul. Świętojerska 5/7
tel.: +48-(0)-504-050225
nenuotec@nenuotec.pl