

Zehnder ComfoTube 75 mm

Semi-rigid ductwork

Product data sheet

always the best climate



ComfoTube 75 mm

The Zehnder ComfoTube 75 mm is a high performance semi-rigid ductwork ideal for residential applications. The low profile manifolds and ductwork mean it's perfect for use in small ceiling voids and is strong enough to even be set into the building concrete structure. The clinside smooth internal lining help to reduce build up of dust and enable the ductwork to be cleaned, this has helped the ductwork achieve a hygiene certificate from the Hygiene Institute. The ductwork was also one of the first to be fully accredited and listed on the PCDB.

The ductwork can be installed much faster than conventional ductwork with a reduced number of connections helping to reduce any potential air leakage within the system. The O-rings and locking slides also help to prevent the ductwork being disconnected during first fix and maintain an airtight seal. End caps are also provided to prevent dust ingress during first fix to maintain a hygienic system.

A variety of manifolds, ancillaries and terminations can be used with the ductwork in addition to a wide range of decorative grilles. The ductwork can also be used with the unique modular ComfoWell manifolds with integrated attenuators and filters.



Key Features

- Easy and quick to install
- Airtight
- High-quality food-grade plastic (PE)
- Fully accredited and listed on the PCDB
- Certified by the Hygiene Institute
- Low pressure losses
- Easy to clean
- Suitable for installation in the building concrete structure
- Crush resistant ring stiffness of ~12.0 kN/m²
- Corrosion resistant
- Lightweight and easy to handle
- No sealant or tape required
- Wide range of manifolds and grille terminations
- Suitable for use with the unique modular ComfoWell manifolds

Article Numbers

Description	Product Code
Ductwork	
Zehnder ComfoTube ø 75 mm, 20 m roll	990 328 001
Zehnder ComfoTube ø 75 mm, 50 m roll	990 328 007
Manifold - See our ComfoWell datasheet for further manifold options	
Plastic manifold, 1 x ø 125 mm connection, 5 x ø 75 mm ports	TPDB1255
CLD Grille housing	
Grille housing CLD-P 75 frontal sleeve, height 85 mm, connects 1 x ø 75 mm Zehnder ComfoTube	990 320 810
Grille housing CLD-P 75 lateral sleeve, height 85 mm, connects 1 x ø 75 mm Zehnder ComfoTube	990 320 811
Grille housing CLD-P 75 lateral sleeve, height 140 mm, connects 1 x ø 75 mm Zehnder ComfoTube	990 320 850
TVA Grille housing	
Grille housing TVA-P 75 connects 1 x ø 125 mm valve to 1 x ø 75 mm Zehnder ComfoTube, L167 mm	990 326 001
Grille housing TVA-P 75 connects 1 x ø 125 mm valve to 2 x ø 75 mm Zehnder ComfoTube, L64 mm	990 326 121
Grille housing TVA-P 75 connects 1 x ø 125 mm valve to 2 x ø 75 mm Zehnder ComfoTube, L300 mm	990 326 125

Article Numbers

Description	Product Code
CSB-P Grille housing	
Rectangular grille housing CSB-P 400 connects 1 x Lamina/Bilamina/ComfoGrid 400 to 1 x ø 90 mm, 2 x ø 75 mm Zehnder ComfoTube	990 321 745
Rectangular grille housing CSB-P 600 connects 1 x Lamina/Bilamina/ComfoGrid 600 to 1 x ø 110 mm, 2 x ø 90 mm Zehnder ComfoTube	990 321 746
Ancillaries	
Zehnder ComfoTube ø 75 mm, adjustable airflow regulator, 30 mm length	988 320 030
Zehnder ComfoTube ø 75 mm, adjustable airflow regulator, 75 mm length	990 320 026
Filter for ø 125 mm extract air valve, ISO Coarse (G3), 10 Pieces	990 320 032
Filter for CLD housing, ISO Coarse (G3), 10 Pieces	990 320 573
Filter for rectangular grille housing CSB-P 400, ISO Coarse (G3), 10 Pieces	990 321 768
Filter for rectangular grille housing CSB-P 600, ISO Coarse (G3), 10 Pieces	990 321 769
Zehnder ComfoTube Flat 51 to Zehnder ComfoTube ø 75/90 mm convertor	990 322 013
Zehnder ComfoTube Flat 51 to 2 x Zehnder ComfoTube ø 75 mm convertor	990 322 150
Zehnder ComfoTube ø 90 mm, manifold/grille housing spigot reducer, ø 90 mm to ø 75 mm	990 322 010
Zehnder ComfoTube ø 75 mm, 90° bend	990 322 152
Zehnder ComfoTube ø 75/90 mm cross-piece	990 322 155
Zehnder ComfoTube ø 75 mm, locking slides, 10 pieces	990 326 024
Grille housing TVA-P 75/90 mounting set for concrete application	990 326 127
90° metal bracket for max 2 Zehnder ComfoTube	990 327 109
Fixing bracket for CSB-P 400/600 grille housing, 2 pieces	988 321 646
Zehnder ComfoFix link for ComfoTube ø 75 mm, 10 pieces	990 327 200
Zehnder ComfoTube ø 75 mm, pipe connector	990 328 107
Zehnder ComfoTube ø 75 mm, end caps, 10 pieces	990 328 262
Zehnder ComfoTube ø 90 mm, end caps, 10 pieces	990 328 263
Zehnder ComfoTube ø 75 mm, O-ring seal, 10 pieces	990 328 362
ComfoTool cutter for ø 75/90mm Zehnder ComfoTube	990 000 110



Zehnder ComfoTube ø 75 mm, 20/50 m roll

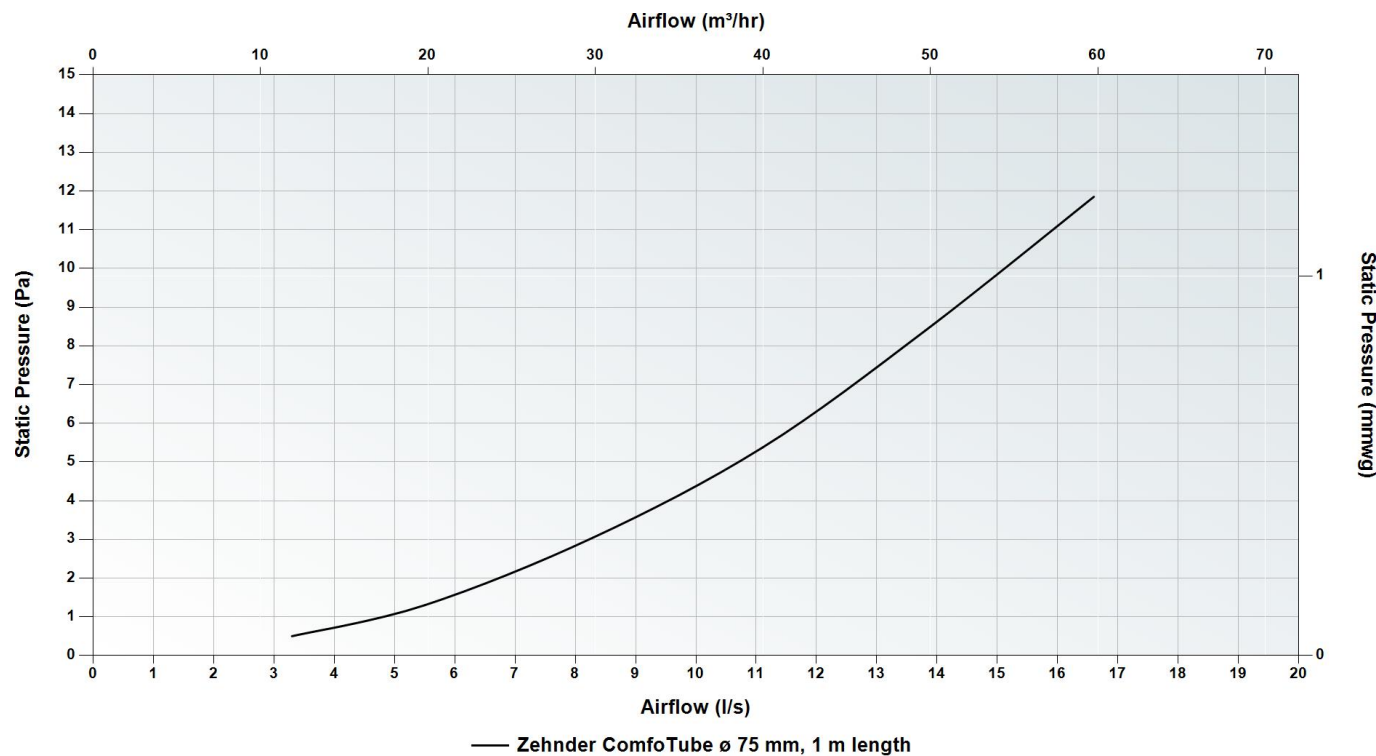
Article number: 990 328 001 / 990 328 007



Technical Specification

Material	High-quality food-grade plastic polyethylene (PE)
Operating temperature range	-25 to +40°C
Maximum recommended air volume per tube	8.3 l/s (30 m³/h)
Minimum bending radius	75 mm
Minimum radius < 2 x diameter	Yes
Buoyancy in concrete	80 N/m
Outside diameter	75 mm
Inside diameter	63 mm
Weight per m	0.31 kg/m
Fire rating in accordance with EN 13501-1	E
Ring stiffness	~12.0 kN/m²
BS EN ISO 9969:2016 crushability compliant	Yes
Coil diameter (50 m roll)	1180 mm
Coil height (50 m roll)	390 mm

Pressure Curve



Sound Data

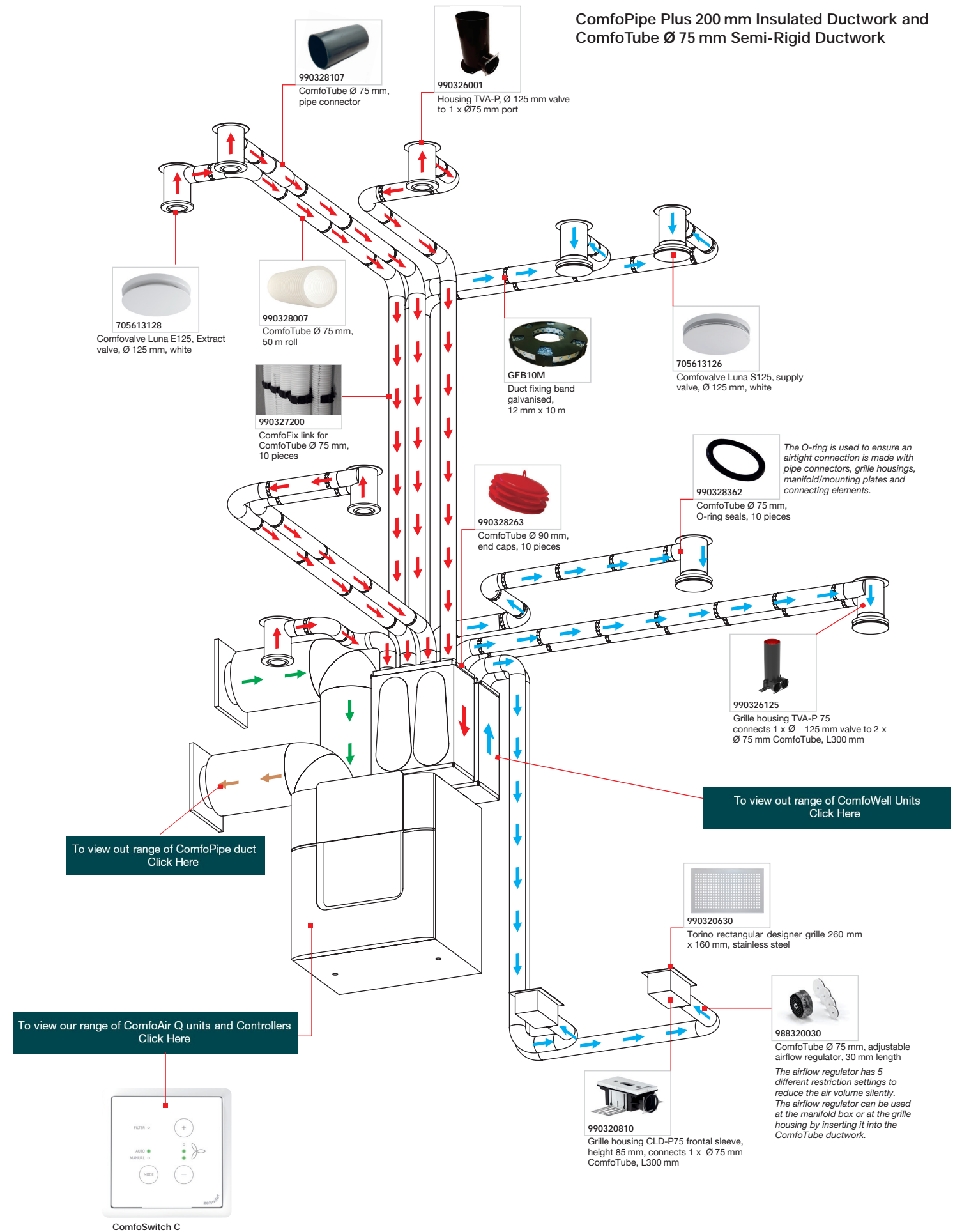
	Octave Band (Hz) Insertion Loss, dB							
	63	125	250	500	1000	2000	4000	8000
Zehnder ComfoTube ø 75 mm, 1 m length		0.4	0.6	0.4	0.2	0.3	1	

Acoustic performance measured according to EN ISO 7235 (pink noise)

■ For use with Zehnder ComfoWell, Manifolds and Grille housings



3D System Layout



ComfoPipe Plus 200 mm Insulated Ductwork and ComfoTube ø 75 mm Semi-Rigid Ductwork

To view out range of ComfoPipe duct [Click Here](#)

To view out range of ComfoWell Units [Click Here](#)

To view our range of ComfoAir Q units and Controllers [Click Here](#)

The O-ring is used to ensure an airtight connection is made with pipe connectors, grille housings, manifold/mounting plates and connecting elements.

The airflow regulator has 5 different restriction settings to reduce the air volume silently. The airflow regulator can be used at the manifold box or at the grille housing by inserting it into the ComfoTube ductwork.

Plastic manifold, 1 x \varnothing 125 mm connection, 5 x \varnothing 75 mm ports

Article number: TPDB1255

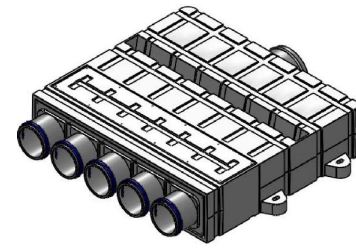
Description

Manifold:

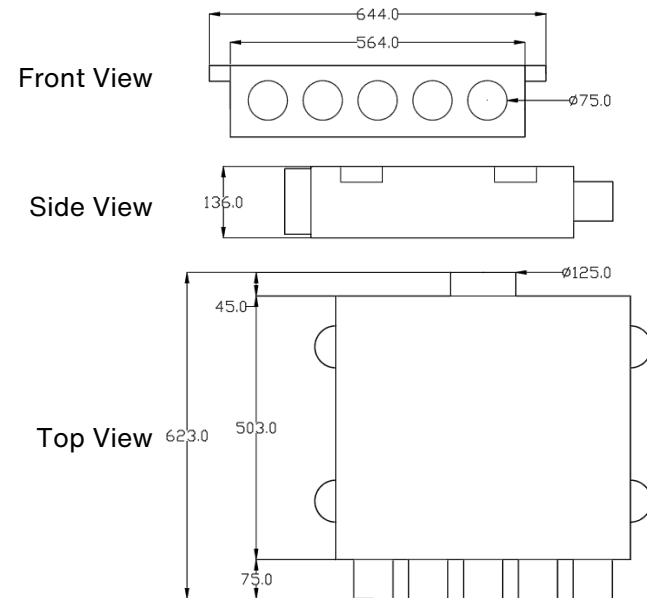
Plastic manifold. Rectangular compact design. Suitable for use with the Zehnder ComfoTube \varnothing 75 mm semi-rigid ductwork and comes complete with locking slides. The mounting plate can be mounted on the top or front of the manifold. For cleaning purposes the manifold plate can be removed for easy access. Mounting on the wall or ceiling is done using the premoulded fixing holes.

Technical Specification

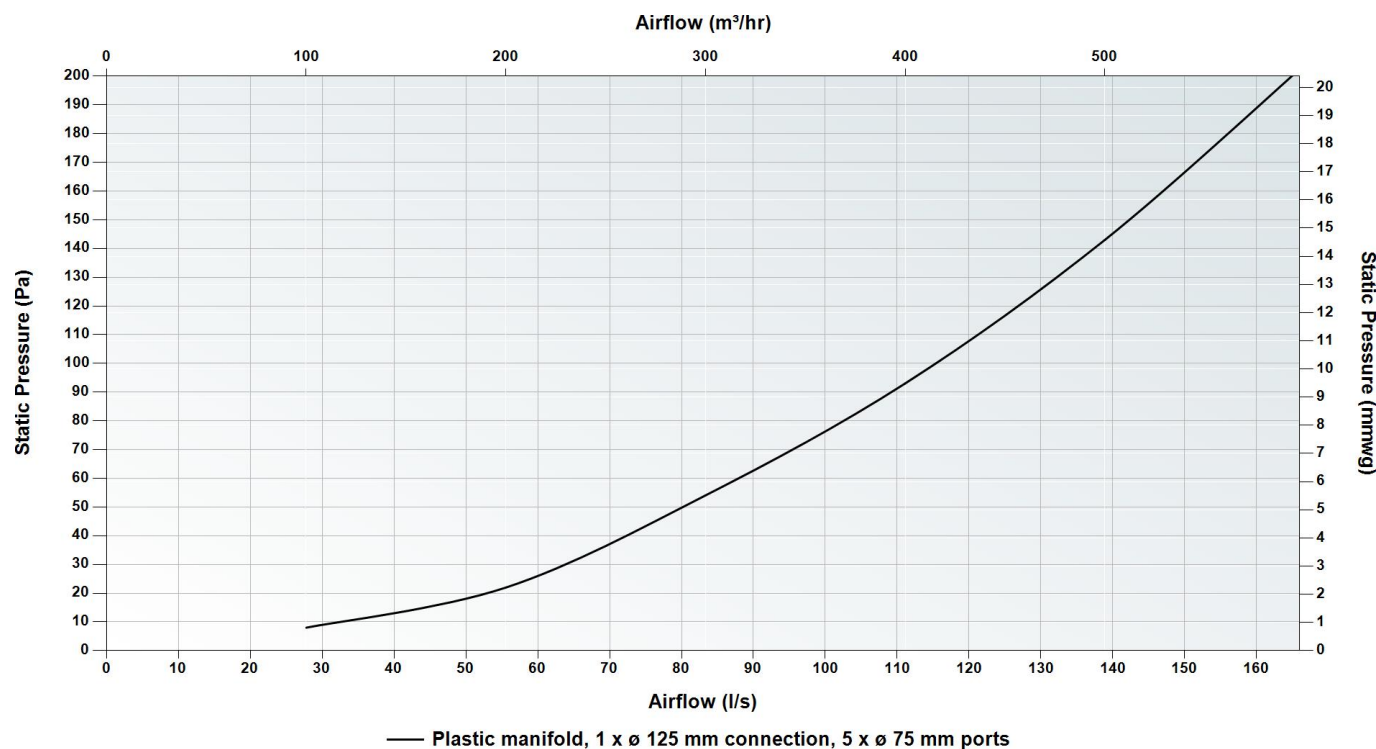
Height	136 mm
Width	644 mm
Depth	623 mm
Weight	5.8 kg
Material	High-density polyethylene (HDPE)
Operating temperature range	-10°C to +70°C



Dimensions



Pressure Curve



■ For use with Zehnder ComfoTube \varnothing 75 mm semi-rigid ductwork

Grille housing CLD-P 75 frontal sleeve, height 85 mm, connects 1 x \varnothing 75 mm Zehnder ComfoTube

Article number: 990 320 810

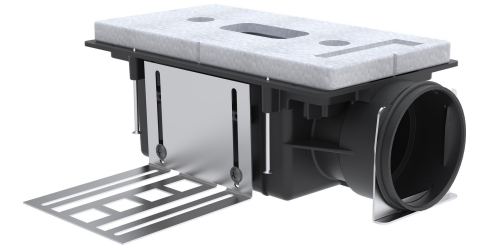
Description

CLD Grille housing:

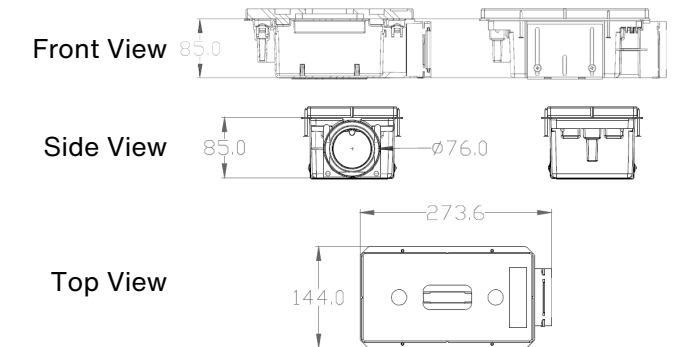
Rectangular frontal and lateral sleeve entry grille housings. The cleanable rectangular CLD grille housing is suitable for installation in all types of wall/floor/ceiling depending on the CLD height and comes complete with locking slides. The rectangular decorative grilles (300 x 200 mm and 260 x 160 mm) can be surface or flush-mounted dependent on preference. A Zehnder ComfoFresh filter can be used to remove particulates.

Technical Specification

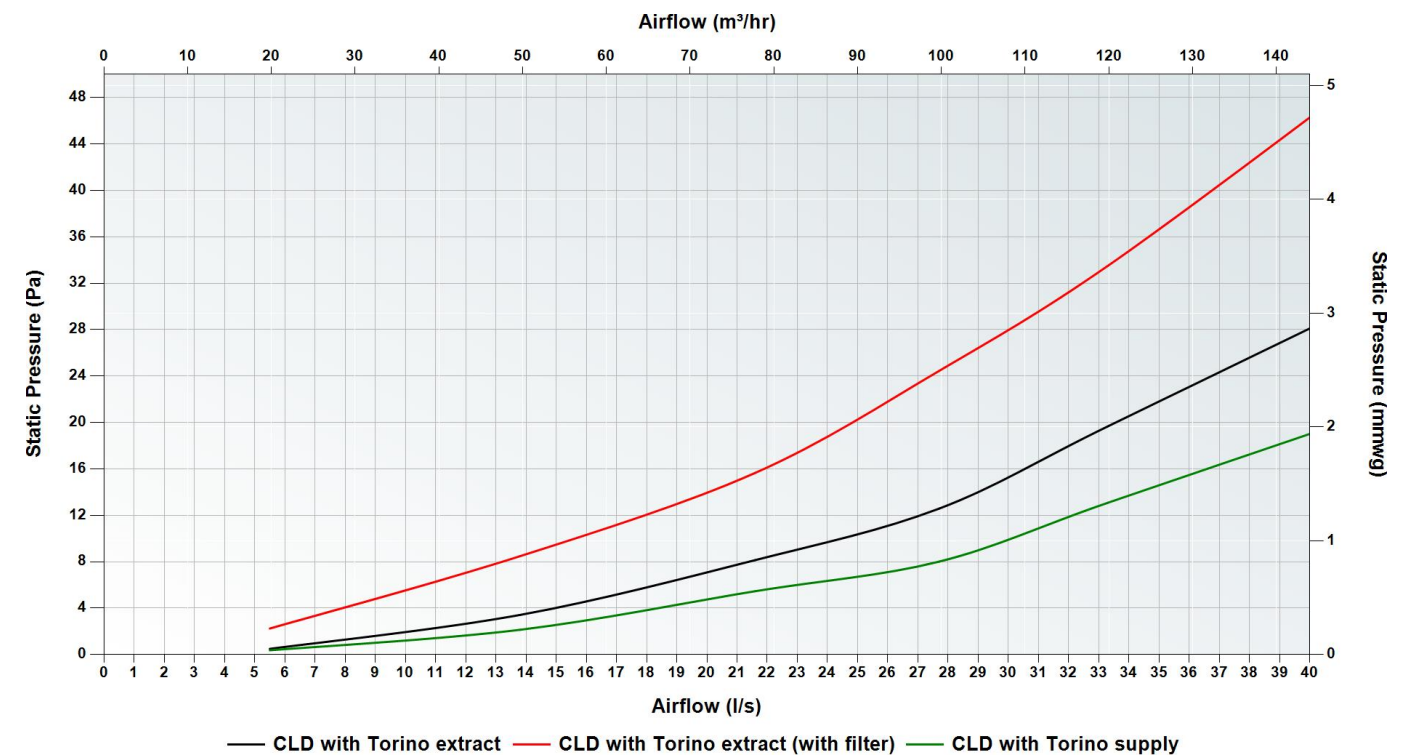
Height	85 mm
Width	273.5 mm
Depth	144 mm
Weight	<0.8 kg
Material	High-density polyethylene (HDPE)



Dimensions



Pressure Curve



■ For use with CLD decorative grilles

Grille housing CLD-P 75 lateral sleeve, height 85 mm, connects 1 x \varnothing 75 mm Zehnder ComfoTube

Article number: 990 320 811

Description

CLD Grille housing:

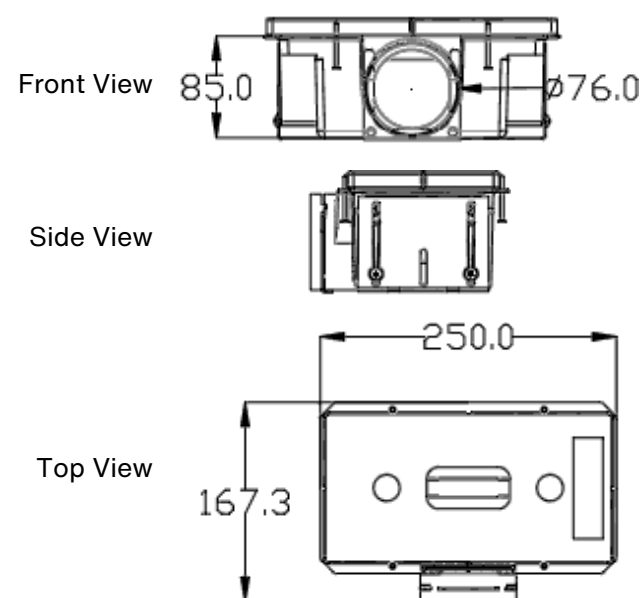
Rectangular frontal and lateral sleeve entry grille housings. The cleanable rectangular CLD grille housing is suitable for installation in all types of wall/floor/ceiling depending on the CLD height and comes complete with locking slides. The rectangular decorative grilles (300 x 200 mm and 260 x 160 mm) can be surface or flush-mounted dependent on preference. A Zehnder ComfoFresh filter can be used to remove particulates.

Technical Specification

Height	85 mm
Width	250 mm
Depth	167.33 mm
Weight	<0.8 kg
Material	High-density polyethylene (HDPE)



Dimensions



■ For use with CLD decorative grilles

Grille housing CLD-P 75 lateral sleeve, height 140 mm, connects 1 x \varnothing 75 mm Zehnder ComfoTube

Article number: 990 320 850

Description

CLD Grille housing:

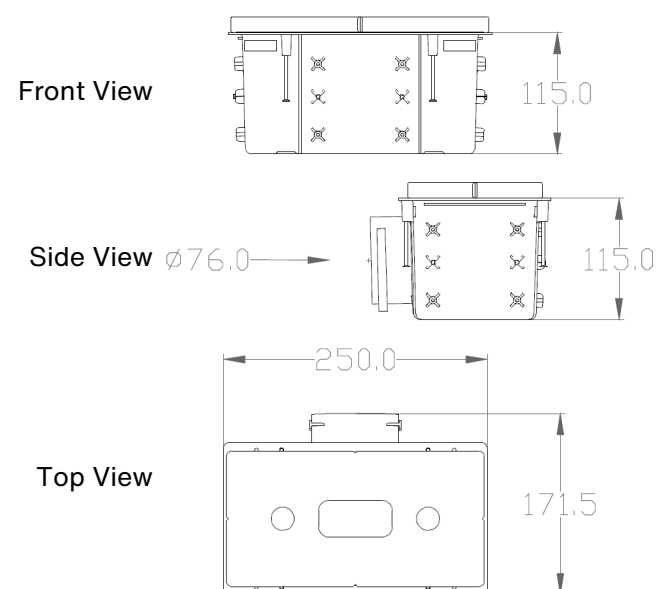
Rectangular frontal and lateral sleeve entry grille housings. The cleanable rectangular CLD grille housing is suitable for installation in all types of wall/floor/ceiling depending on the CLD height and comes complete with locking slides. The rectangular decorative grilles (300 x 200 mm and 260 x 160 mm) can be surface or flush-mounted dependent on preference. A Zehnder ComfoFresh filter can be used to remove particulates.

Technical Specification

Height	140 mm
Width	250 mm
Depth	170.9 mm
Weight	<0.8 kg
Material	High-density polyethylene (HDPE)



Dimensions



■ For use with CLD decorative grilles

Grille housing TVA-P 75 connects 1 x \varnothing 125 mm valve to 1 x \varnothing 75 mm Zehnder ComfoTube

Article number: 990 326 001

Description

TVA Grille housing:

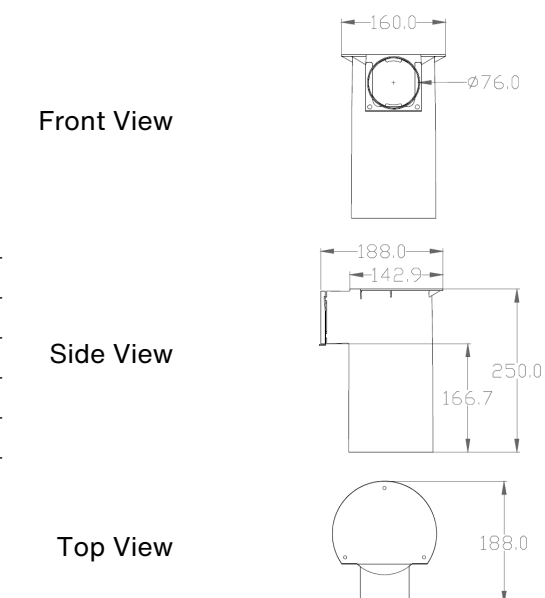
Circular grille housing. The cleanable circular TVA grille housing is suitable for installation in all types of wall/ceiling depending on the height and comes complete with locking slides. The square (160 x 160 mm) and circular decorative grilles can be used in addition to any standard \varnothing 125 mm valve. A Zehnder ComfoFresh filter can be used to remove particulates.

Technical Specification

Height	250 mm
Spigot length	166.7 mm
Width	160 mm
Depth	188 mm
Weight	0.5 kg
Material	High-density polyethylene (HDPE)



Dimensions



■ For use with TVA decorative grilles, \varnothing 125 mm supply/extract grilles and ComfoValve Luna

Grille housing TVA-P 75 connects 1 x \varnothing 125 mm valve to 2 x \varnothing 75 mm Zehnder ComfoTube, L64 mm

Article number: 990 326 121

Description

TVA Grille housing:

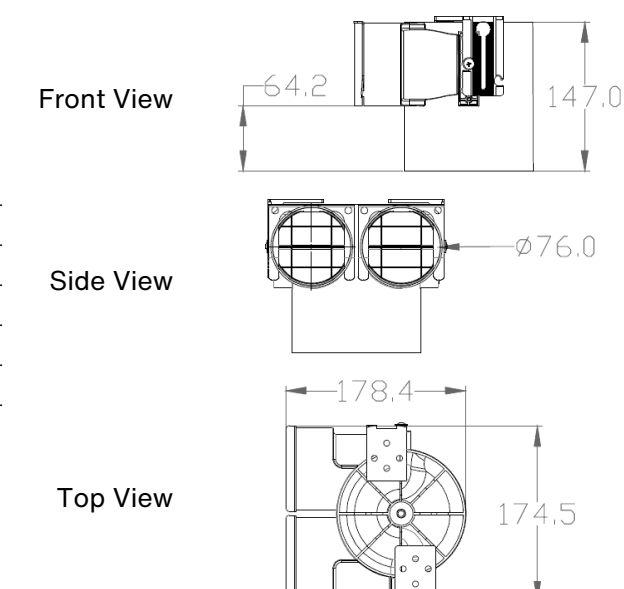
Circular grille housing. The cleanable circular TVA grille housing is suitable for installation in all types of wall/ceiling depending on the height and comes complete with locking slides. The square (160 x 160 mm) and circular decorative grilles can be used in addition to any standard \varnothing 125 mm valve. A Zehnder ComfoFresh filter can be used to remove particulates.

Technical Specification

Height	147 mm
Spigot length	64.2 mm
Width	174.5 mm
Depth	178.4 mm
Weight	0.38 kg
Material	High-density polyethylene (HDPE)



Dimensions



■ For use with TVA decorative grilles, \varnothing 125 mm supply/extract grilles and ComfoValve Luna

Grille housing TVA-P 75 connects 1 x \varnothing 125 mm valve to 2 x \varnothing 75 mm Zehnder ComfoTube, L300 mm

Article number: 990 326 125

Description

TVA Grille housing:

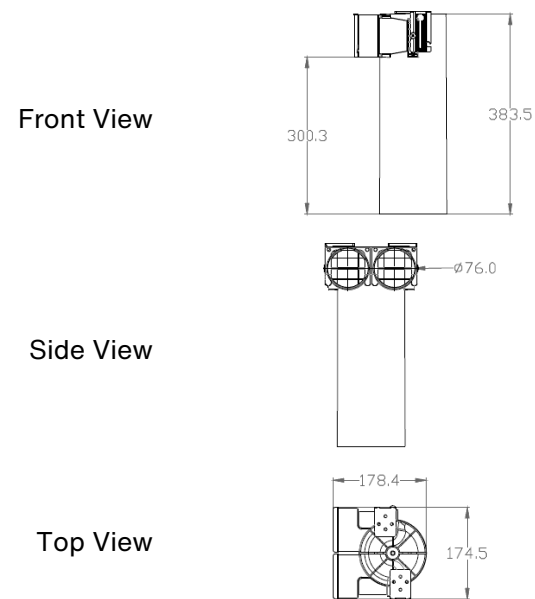
Circular grille housing. The cleanable circular TVA grille housing is suitable for installation in all types of wall/ceiling depending on the height and comes complete with locking slides. The square (160 x 160 mm) and circular decorative grilles can be used in addition to any standard \varnothing 125 mm valve. A Zehnder ComfoFresh filter can be used to remove particulates.

Technical Specification

Height	383.5 mm
Spigot length	300.3 mm
Width	174.5 mm
Depth	178.4 mm
Weight	0.5 kg
Material	High-density polyethylene (HDPE)



Dimensions



■ For use with TVA decorative grilles, \varnothing 125 mm supply/extract grilles and ComfoValve Luna

Rectangular grille housing CSB-P 400 connects 1 x Lamina/Bilamina/ComfoGrid 400 to 1 x \varnothing 90 mm, 2 x \varnothing 75 mm Zehnder ComfoTube

Article number: 990 321 745

Description

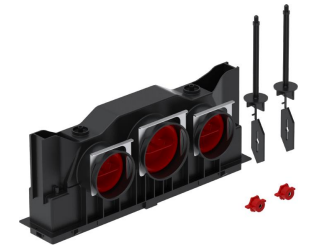
CSB-P slot diffuser housing:

Rectangular lateral sleeve entry grille housing. The cleanable rectangular slot diffuser housing is suitable for installation in all types of wall/ceiling, including within concrete, depending on the height, and comes complete with locking slides and end caps. For use with [988 321 646](#) fixing bracket for mounting within wall/ceiling void to also enable height adjustment from 182 mm to 281 mm. The rectangular lamina / bilamina slot diffuser can be used when used with the 20/40 mm extension pins (990 320 687 / 990 320 688) and offer adjustable directional air supply. Can be used with the 90 mm to 75 mm reducer ([990 322 010](#)) to convert to a 3 port 75 mm housing. The ComfoGrid Linea 400 range of slot diffusers can also be used without the need for the extension pins.

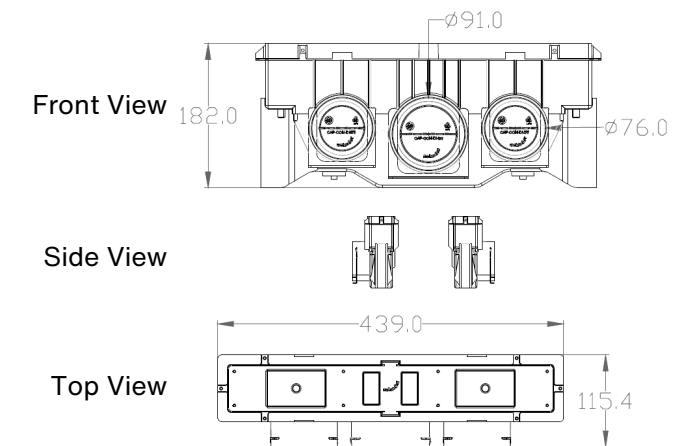
Technical Specification

Height	182 mm
Width	439 mm
Depth	115.4 mm
Weight	1.05 kg
Material	High-density polyethylene (HDPE)

■ For use with Lamina/Bilamina/ComfoGrid Linea 400 slot diffusers



Dimensions



Rectangular grille housing CSB-P 600 connects 1 x Lamina/Bilamina/ComfoGrid 600 to 1 x \varnothing 110 mm, 2 x \varnothing 90 mm Zehnder ComfoTube

Article number: 990 321 746

Description

CSB-P slot diffuser housing:

Rectangular lateral sleeve entry grille housing. The cleanable rectangular slot diffuser housing is suitable for installation in all types of wall/ceiling, including within concrete, depending on the height, and comes complete with locking slides and end caps. For use with [988 321 646](#) fixing bracket for mounting within wall/ceiling void to also enable height adjustment from 182 mm to 281 mm. The rectangular lamina / bilamina slot diffuser can be used when used with the 20/40 mm extension pins (990 320 687 / 990 320 688) and offer adjustable directional air supply. Can be used with the 90 mm to 75 mm reducer ([990 322 010](#)) to convert to a 2 port 75 mm housing. The ComfoGrid Linea 600 range of slot diffusers can also be used without the need for the extension pins.

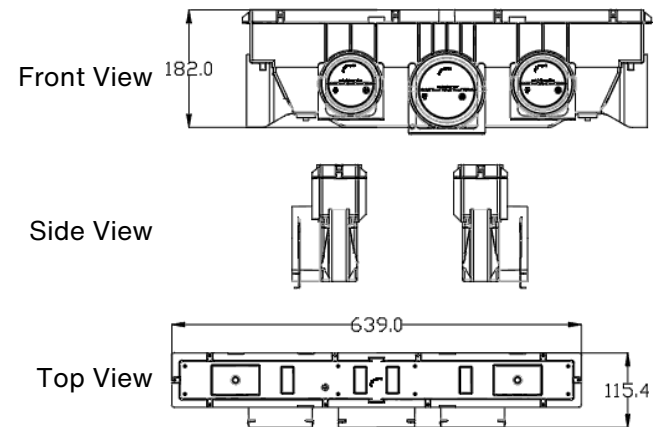
Technical Specification

Height	182 mm
Width	639 mm
Depth	115.4 mm
Weight	1.12 kg
Material	High-density polyethylene (HDPE)

■ For use with Lamina/Bilamina/ComfoGrid Linea 600 slot diffusers



Dimensions



Zehnder ComfoTube \varnothing 75 mm, adjustable airflow regulator, 30 mm length

Article number: 988 320 030

Description

Airflow regulator:

Zehnder ComfoTube adjustable airflow regulator. The airflow regulator has 5 different restriction settings to reduce the air volume silently. The airflow regulator can be used at the manifold box or at the grille housing by inserting it into the ComfoTube ductwork.

Technical Specification

Length	30 mm
Diameter	63 mm
Weight	<0.04 kg
Material	Polypropylene



Zehnder ComfoTube ø 75 mm, adjustable airflow regulator, 75 mm length

Article number: 990 320 026

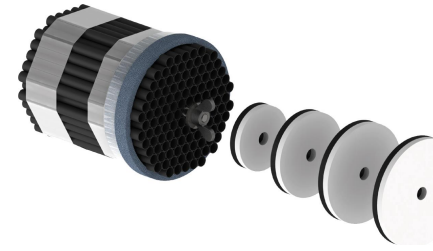
Description

Airflow regulator:

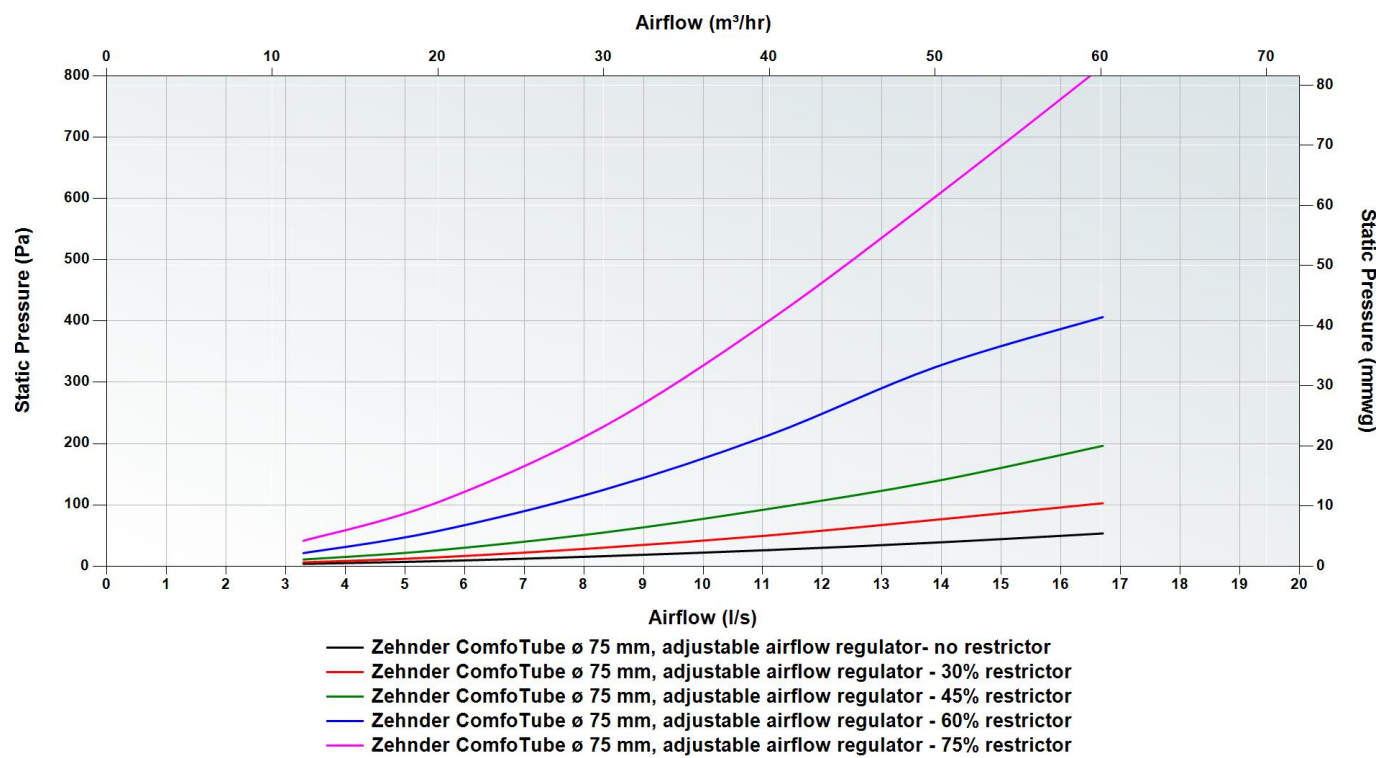
Zehnder ComfoTube adjustable airflow regulator. The airflow regulator has 5 different restriction settings to reduce the air volume silently. The airflow regulator can be used at the manifold box or at the grille housing by inserting it into the ComfoTube ductwork.

Technical Specification

Length	75 mm
Diameter	63 mm
Weight	<0.04 kg
Material	Polypropylene



Pressure Curve



Filter for ø 125 mm extract air valve, ISO Coarse (G3), 10 Pieces

Article number: 990 320 032

Description

Grille housing filter:

Zehnder ComfoFresh filter for ø 125 mm TVA grille housing. The filter is perfect to remove particles before they enter the ductwork and is quick and easy to install without interfering with the installed parts.

Technical Specification

Length	165 mm
Diameter	125 mm
Height	9 mm
Filter grade	ISO Coarse (G3)
Weight	<0.018 kg each
Material	Polyester



■ For use with Square or circular decorative grilles, ø 125 mm supply/extract grilles and ComfoValve Luna valves

Filter for CLD housing, ISO Coarse (G3), 10 Pieces

Article number: 990 320 573

Description

Grille housing filter:

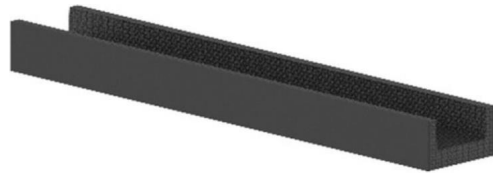
Zehnder ComfoFresh filter for ø 125 mm TVA and CLD grille housing. The filter is perfect to remove particles before they enter the ductwork and is quick and easy to install without interfering with the installed parts.

Technical Specification

Height	9 mm
Width	113 mm
Depth	174 mm
Filter grade	ISO Coarse (G3)
Weight	<0.018 kg each
Material	Polyester



■ For use with Rectangular decorative grilles for CLD 260 x 160 mm and 300 x 200 mm



Filter for rectangular grille housing CSB-P 400, ISO Coarse (G3), 10 Pieces

Article number: 990 321 768

Description

Grille housing filter:

Zehnder ComfoFresh filter for CSB-P grille housing. The filter is perfect to remove particles before they enter the ductwork and is quick and easy to install without interfering with the installed parts.

Technical Specification

Height	32 mm
Width	342 mm
Depth	55 mm
Filter grade	ISO Coarse (G3)
Weight	<0.038 kg each
Material	Polyester

■ For use with ComfoGrid Linea 400 slot diffusers

Filter for rectangular grille housing CSB-P 600, ISO Coarse (G3), 10 Pieces

Article number: 990 321 769

Description

Grille housing filter:

Zehnder ComfoFresh filter for CSB-P grille housing. The filter is perfect to remove particles before they enter the ductwork and is quick and easy to install without interfering with the installed parts.

Technical Specification

Height	32 mm
Width	542 mm
Depth	55 mm
Filter grade	ISO Coarse (G3)
Weight	<0.052 kg each
Material	Polyester

■ For use with ComfoGrid Linea 600 slot diffusers



Zehnder ComfoTube Flat 51 to Zehnder ComfoTube ø 75/90 mm convertor

Article number: 990 322 013

Description

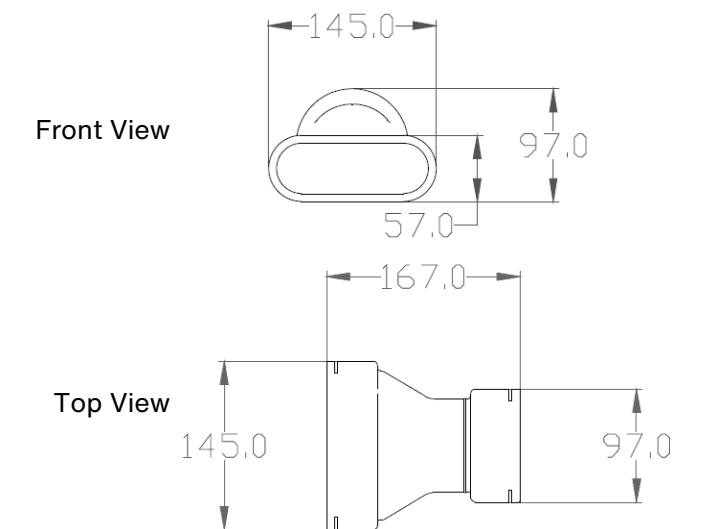
Converter:

Zehnder ComfoTube Flat 51 to Zehnder ComfoTube ø 75/90 mm convertor. The rigid connector can be used to convert Zehnder ComfoTube Flat 51 to Zehnder ComfoTube ø 75 or Zehnder ComfoTube ø 90 mm and comes complete with locking slides and O-rings.

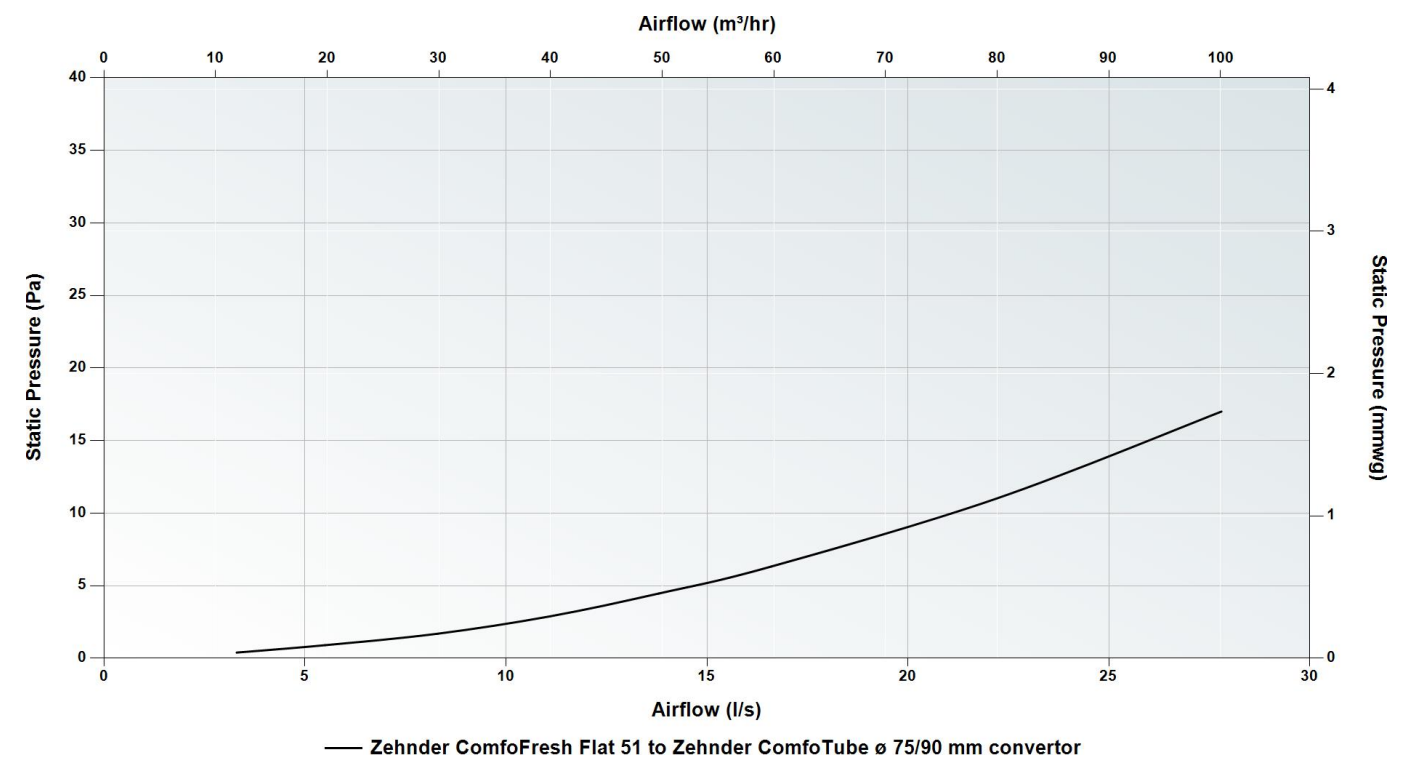
Technical Specification

Height	96.5 mm
Width	167 mm
Depth	145.5 mm
Weight	0.24 kg
Material	High-density polyethylene (HDPE)

Dimensions



Pressure Curve



Zehnder ComfoTube Flat 51 to 2 x Zehnder ComfoTube ø 75 mm convertor

Article number: 990 322 150

Description

Converter:

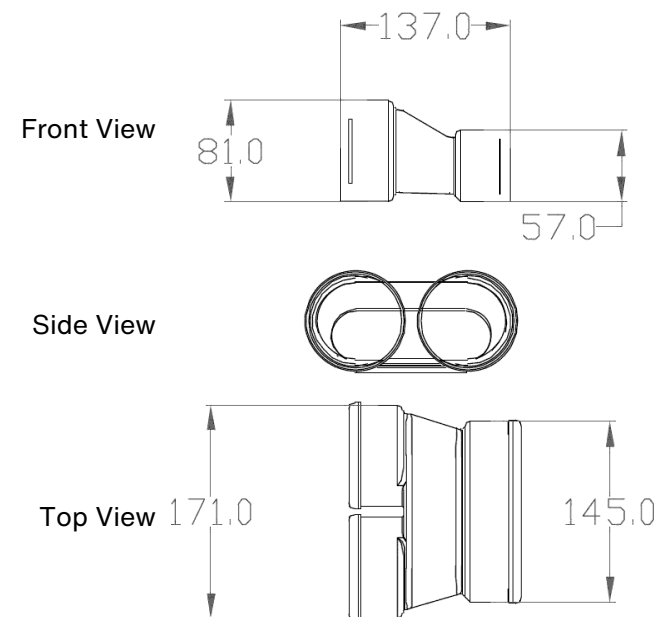
Zehnder ComfoTube Flat 51 to 2 x Zehnder ComfoTube ø 75 mm convertor. The rigid connector can be used to convert Zehnder ComfoTube Flat 51 to 2 x Zehnder ComfoTube ø 75 mm and comes complete with O-rings and RapidLock® connections to quickly form an air tight and robust seal by simply push-fitting the semi-rigid ductwork.

Technical Specification

Height	81 mm
Width	137 mm
Depth	171 mm
Weight	0.2 kg
Material	High-density polyethylene (HDPE)
Recycled material content	25%



Dimensions



Zehnder ComfoTube ø 90 mm, manifold/grille housing spigot reducer, ø 90 mm to ø 75 mm

Article number: 990 322 010

Description

Converter:

Zehnder ComfoTube ø 90 mm to Zehnder ComfoTube ø 75 mm convertor. The rigid connector can be placed into a Zehnder ComfoTube ø 90 mm manifold or grille housing spigot to convert it to Zehnder ComfoTube ø 75 mm and comes complete with O-rings and RapidLock® connections to quickly form an air tight and robust seal by simply push-fitting the semi-rigid ductwork. Ideal for use with the CSB-P to convert 90 mm spigots for use with 75 mm ductwork.

Technical Specification

Length	50 mm
Diameter	90.1 mm
Weight	0.12 kg
Material	High-density polyethylene (HDPE)



Zehnder ComfoTube ø 75 mm, 90° bend

Article number: 990 322 152

Description

Rigid 90° bend:

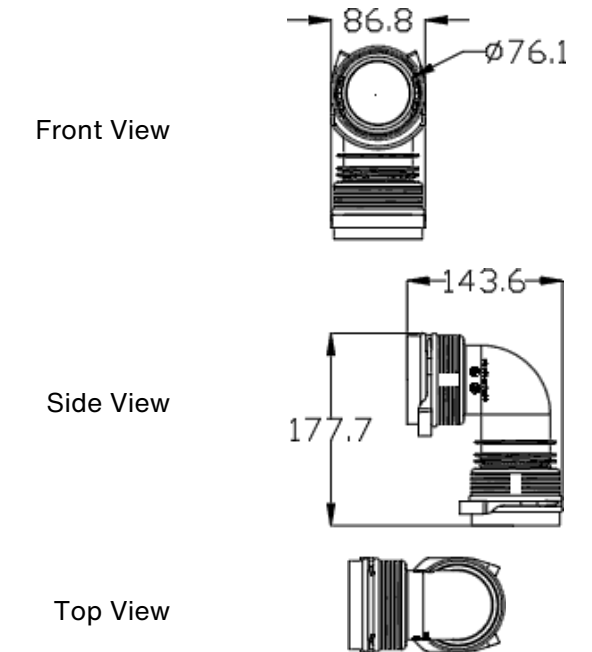
Zehnder ComfoTube ø 75 mm, 90° bend. The rigid bend can be placed between two lengths of Zehnder ComfoTube ø 75 mm or directly into the manifold / mounting plate and comes complete with RapidLock® connections to quickly form an air tight and robust seal by simply push-fitting the semi-rigid ductwork.

Technical Specification

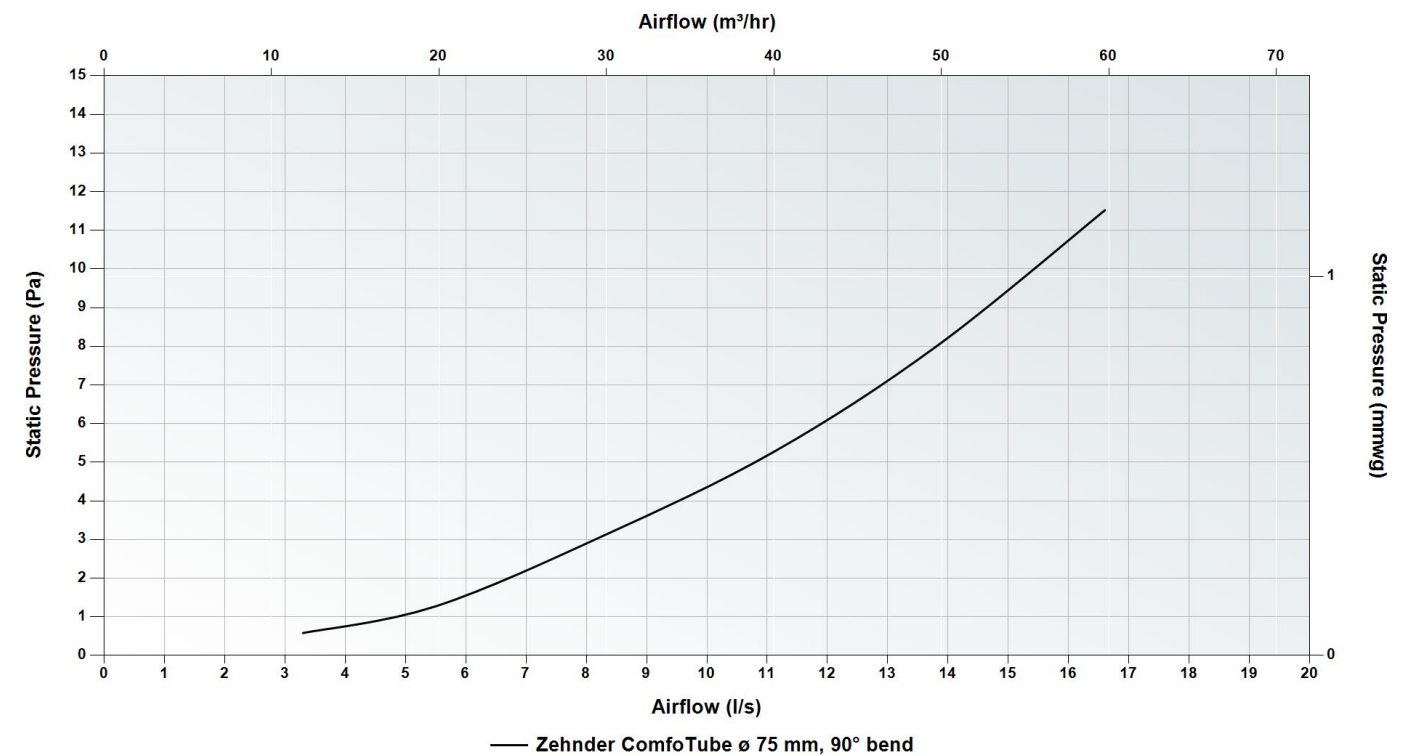
Height	177.7 mm
Width	143.6 mm
Depth	86.8 mm
Weight	0.11 kg
Material	High-density polyethylene (HDPE)
Recycled material content	25%



Dimensions



Pressure Curve



Zehnder ComfoTube ø 75/90 mm cross-piece

Article number: 990 322 155

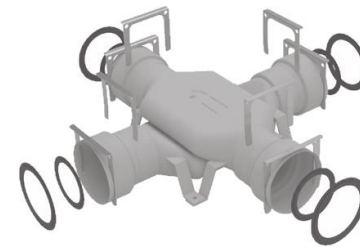
Description

ComfoTube cross-piece:

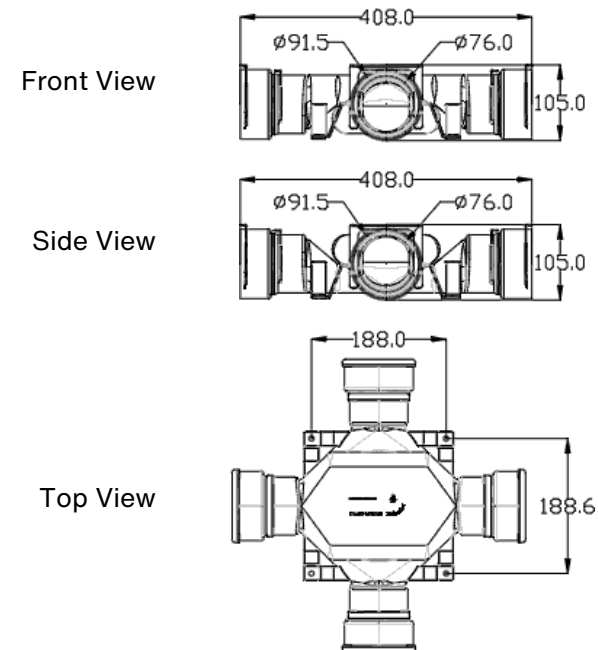
Zehnder ComfoTube ø 75/90 mm cross-piece. The compact cross-piece can be used to cross over two lengths of Zehnder ComfoTube ø 75 mm or Zehnder ComfoTube ø 90 mm in a height restricted space. The cross-piece comes complete with locking slides and O-rings.

Technical Specification

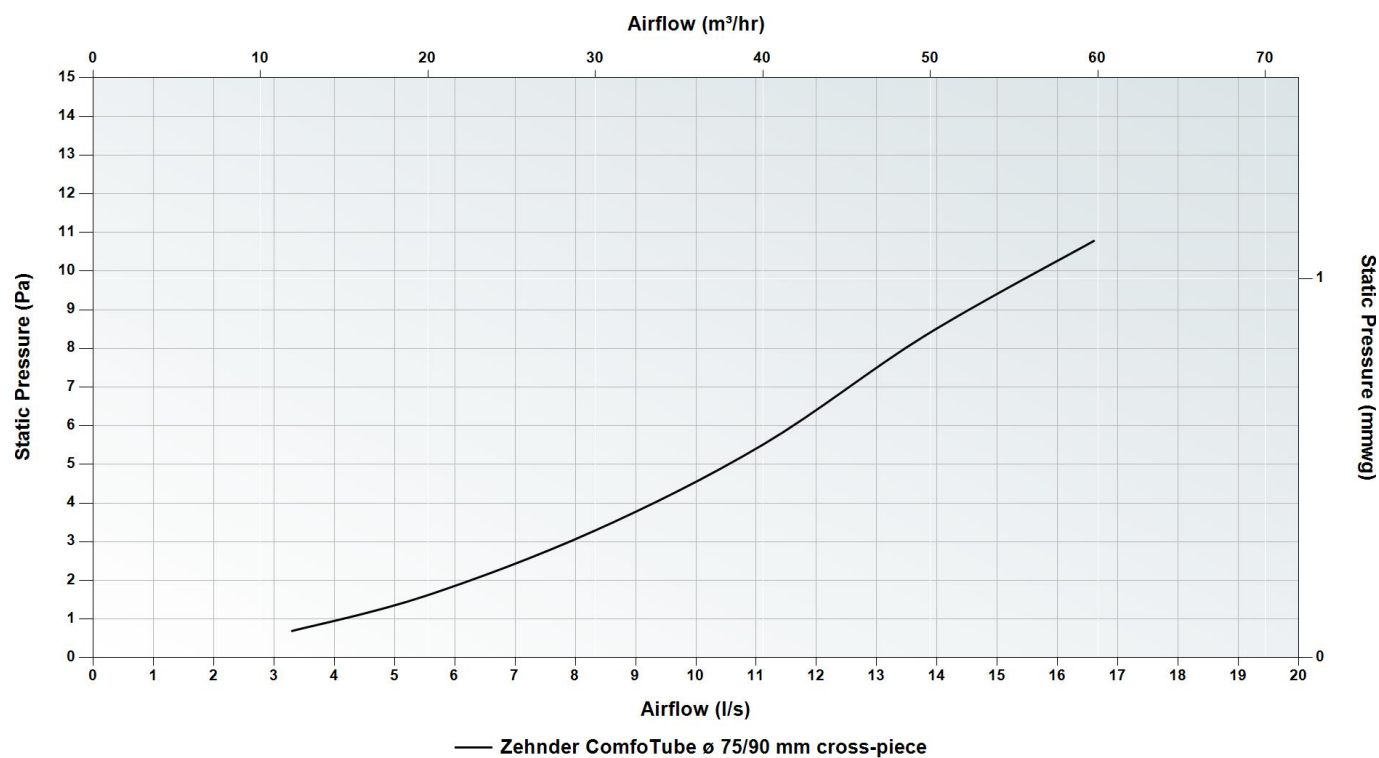
Height	105 mm
Width	408 mm
Depth	408 mm
Weight	1.2 kg
Material	High-density polyethylene (HDPE)



Dimensions



Pressure Curve



Zehnder ComfoTube ø 75 mm, locking slides, 10 pieces

Article number: 990 326 024

Description

Locking slide:

Zehnder ComfoTube ø 75 mm, locking slide. The locking slide is used to secure the Zehnder ComfoTube ø 75 mm ductwork without the need for messy sealants.

Technical Specification

Weight	0.028kg (each)
Material	Galvanised steel

■ For use with Zehnder ComfoTube ø 75 mm ComfoWell / Grille housings



Grille housing TVA-P mounting set for concrete application

Article number: 990 326 127

Description

Mounting set:

Grille housing TVA-P 75/90 mounting set for concrete application. Used in conjunction with 64 mm versions of the TVA-P to ensure quick installation to wooden framework prior to concrete being poured.

Technical Specification

Weight	0.08 kg
Material	Polymer

■ For use with TVA-P L64 mm versions



90° metal bracket for max 2 Zehnder ComfoTube

Article number: 990 327 109

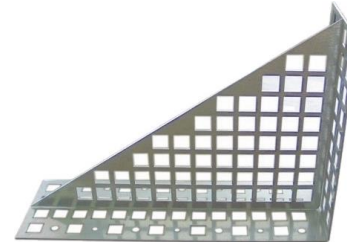
Description

Metal bracket:

90° metal bracket for max 2 Zehnder ComfoTube. The mounting aid is to enable a 90 degree angle to be formed on Zehnder ComfoTube ø 75 mm or Zehnder ComfoTube ø 90 mm when attached to a horizontal surface.

Technical Specification

Height	200 mm
Width	300 mm
Depth	100 mm
Weight	0.57 kg
Material	Galvanised steel



Fixing bracket for CSB-P 400/600 grille housing, 2 pieces

Article number: 988 321 646

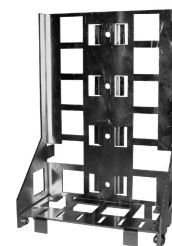
Description

Fixing bracket:

Zehnder Fixing bracket for CSB-P 400/600 grille housing. The fixing bracket is mounted to either side of the CSB-P to enable secure fixing to the wall or floor and comes complete with screws to fix to the CSB-P. These are not supplied as standard with the CSB-P.

Technical Specification

Height	163.5 mm
Width	110.5 mm
Depth	54 mm
Weight	0.08 kg (each)
Material	Aluminium



Zehnder ComfoFix link for ComfoTube ø 75 mm, 10 pieces

Article number: 990 327 200

Description

ComfoFix mounting bracket:

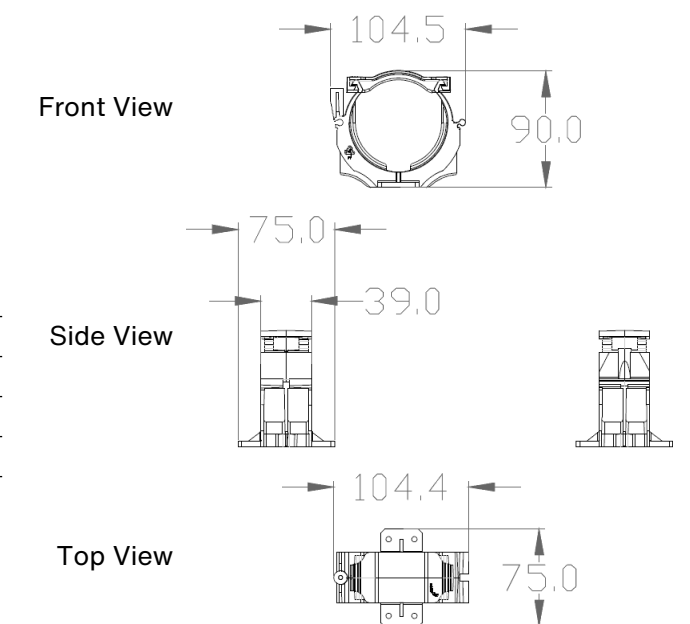
Zehnder ComfoFix link for ComfoTube ø 75 mm. The mounting bracket can be prefixed on the floor/wall/ceiling and allows the Zehnder ComfoTube ø 75 mm to be clicked in place. Several brackets can also be linked on the horizontal or vertical level to fix Zehnder ComfoTube ø 75 mm in place. Over 50% of time can be saved on installation using ComfoFix when compared to installation using perforated metal banding without the risk of damage to the ductwork.

Technical Specification

Height	90 mm
Width	104.5 mm
Depth	75 mm
Weight	0.07 kg (each)
Material	Glass fibre reinforced polypropylene



Dimensions



Zehnder ComfoTube ø 75 mm, pipe connector

Article number: 990 328 107

Description

Pipe connector:

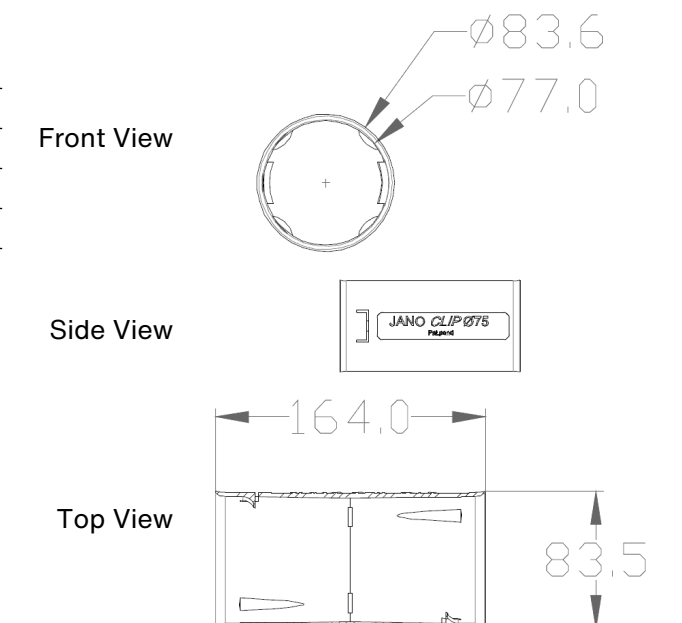
Zehnder ComfoTube ø 75 mm, pipe connector. The connector is used to join two lengths of Zehnder ComfoTube ø 75 mm together to create an airtight and robust seal using O-rings.

Technical Specification

Length	164 mm
Diameter ID	75.4 mm
Diameter OD	83.5 mm
Weight	0.1 kg
Material	Medium-density polyethylene



Dimensions



Zehnder ComfoTube ø 75 mm, end caps, 10 pieces

Article number: 990 328 262

Description

End caps:

Zehnder ComfoTube end caps. The 75 mm end caps can be placed within their corresponding Zehnder ComfoTube ø 75 mm during the construction phase to prevent dust ingress.

Technical Specification

Length	40.3 mm
Diameter	67 mm
Weight	0.016 kg
Material	Medium-density polyethylene
Recycled material content	100%



Zehnder ComfoTube ø 75 mm, O-ring seal, 10 pieces

Article number: 990 328 362

Description

O-ring:

Zehnder ComfoTube O-ring seal. The lubricated O-ring is used to ensure an airtight connection is made with pipe connectors, grille housings, manifold/mounting plates and connecting elements.

Technical Specification

Outside diameter	81 mm
Inside diameter	61 mm
Weight	0.006 kg (each)
Material	EPDM (Ethylene Propylene Diene Monomer)



Zehnder ComfoTube ø 90 mm, end caps, 10 pieces

Article number: 990 328 263

Description

End caps:

Zehnder ComfoTube end caps. The 90 mm end caps can be placed within their corresponding Zehnder ComfoTube ø 90 mm during the construction phase to prevent dust ingress. The 90 mm end caps can also be placed directly into the 75 mm manifold or mounting plate to seal off any unwanted ports.

Technical Specification

Length	53.3 mm
Diameter	82 mm
Weight	0.031 kg (each)
Material	Medium-density polyethylene
Recycled material content	100%



ComfoTool cutter for ø 75/90mm Zehnder ComfoTube

Article number: 990 000 110

Description

Cutter:

Zehnder ComfoTool cutter. The cutter comes complete with interchangeable attachments to enable a professional and clean cut every time for both the Zehnder ComfoTube ø 75 mm or Zehnder ComfoTube ø 90 mm ductwork.

Technical Specification

Weight	0.1 kg
--------	--------



■ For use with Zehnder ComfoTube ø 75 mm or Zehnder ComfoTube ø 90 mm ductwork

BIM/CAD Components

If you would like to download the BIM / CAD files for this or any other of our products then please visit our BIM library.

[TO VISIT OUR BIM/CAD LIBRARY](#)

[CLICK HERE](#)

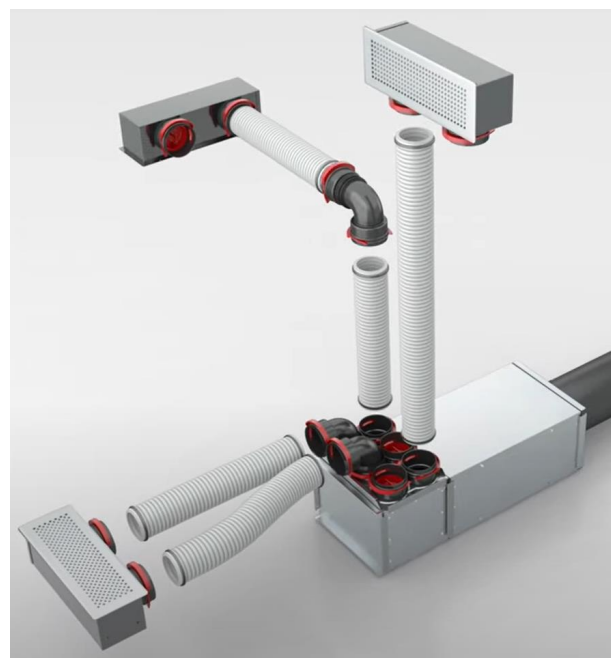
Installation Instructions

If you would like to download the installation files for this or any other of our products then please visit our download page by clicking the link below.

[TO VISIT OUR DOWNLOAD PAGE](#)

[CLICK HERE](#)

Our Informational Videos



Watch our video on the future of air distribution installation - Zehnder RapidLock®!

[TO WATCH OUR VIDEO](#)

[CLICK HERE](#)



Watch our video on how to clean the Zehnder ComfoTube ductwork.

[TO WATCH OUR VIDEO](#)

[CLICK HERE](#)

Consultant Specification

Specification

The semi-rigid ductwork shall be dual wall constructed of high-quality food-grade plastic PE with a crush resistant ring stiffness of $\sim 12.0 \text{ kN/m}^2$. It shall be suitable for installation into concrete with a fire rating in accordance with [EN 13501-1](#) of E. It shall have an operating temperature range of -25 to $+40^\circ\text{C}$ and not be designed to exceed flowrates of 8.3 l/s .

The ductwork shall have a hygiene certificate and be accredited for use in SAP Appendix Q.

The ductwork shall be manufactured by Zehnder.