

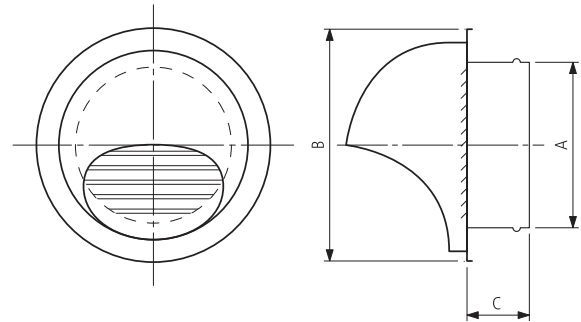
Chrome-Nickel Wall-Mounted Air Intake/Exhaust Air Ejector with Overlap

UVLA

[Download Wentyle](#)
[Download AlnorCAM](#)
[Buy via B2B](#)



Dimensions



Description

Depending on their application, UVLA components can be used as air intakes or roof ejectors. Furnished with a semicircular protection cover preventing the air from being blown in and slanting blades that guide the air flow downwards. In addition, the air intake is provided with insect mesh. It has rubber gaskets and is fitted with mounting clamps to make its installation easier. It is featured by an attractive appearance and long durability and can be used both indoors and outdoors.

Material: steel sheet
Furnishing: polishing

Example identification

Product code: **UVLA** **aaa**

type _____
 Ød _____

$\varnothing d$ [mm]	A [mm]	B [mm]	C [mm]
100	97	133	52
125	120	165	52
150	145	192	62
160	155	192	62
200	195	253	62