

# Chrome-Nickel Wall-Mounted Air Intake/Exhaust Air Ejector with Overlap

## USLA



### Description

Depending on their application, USLA components can be used as air intakes or roof ejectors. Furnished with a semicircular protection cover preventing the air from being blown in. In addition, the air intake is provided with mesh. It has rubber gaskets and is fitted with mounting clamps to make its installation easier. It is featured by an attractive appearance and long durability and can be used both indoors and outdoors.

**Material:** steel sheet

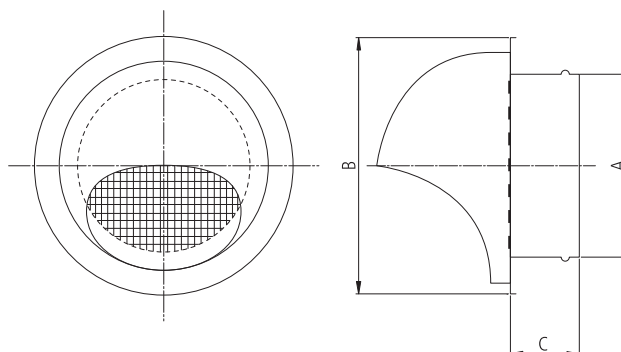
**Furnishing:** polishing

#### Example identification

Product code: **USLA**    **aaa**

type \_\_\_\_\_  
 Ød \_\_\_\_\_

### Dimensions



$\varnothing d$ [mm]	A [mm]	B [mm]	C [mm]
100	97	133	52
125	120	165	52
150	145	192	62
160	155	192	62
200	195	253	62