

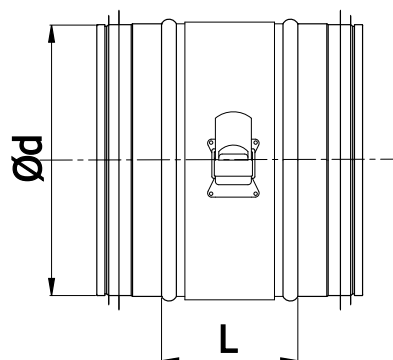
# Duct filter

## UFI

[Download Wentyle](#)  
[Download AlnorCAM](#)  
[Buy via B2B](#)



### Dimensions



### Description

The UFI duct filter is designed for air filtration in round ventilation ducts. It is equipped with a filter pack of EU4 class protected with a galvanized wire net at both sides. The filter is housed in a round galvanized steel sheet duct equipped with gaskets.

A unique construction of the UFI filter enables easy replacement of the filter element.

The UFI duct filter is designed for assembling between two round ventilation ducts of standard diameters (100–400 mm)..

#### Example identification

Product code: UFI-160

type \_\_\_\_\_  
 diameter \_\_\_\_\_

type	Ød [mm]	L [mm]
100	100	70
125	125	70
160	160	70
200	200	70
250	250	70
315	315	70
355	355	70
400	400	70

### Technical Data

