

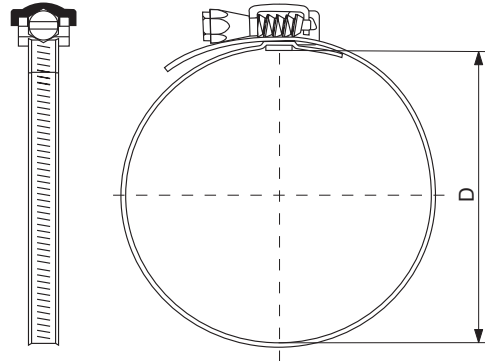
Band clips for flexible ducts

**TKS**

[Download Wentyle](#)  
[Download AlnorCAM](#)  
[Buy via B2B](#)



Dimensions



Description

The TKS band clip is made of galvanized sheet band. It is necessary for connecting flexible ducts with shaped profiles, connectors and stub pipes etc. Properly shaped edges of the band clip prevent damages while its assembling and mounting. The TKS band clip is equipped with a worm clamp ensuring tight and firm connection.

**Packing:** 10 pcs in a box

Materials

- TKS- band - galvanised steel
- zacisk - stainless steel SUS201
- screw - carbon steel SWCH1035

Example identification

Product code: **TKS**

type \_\_\_\_\_

code	range diameters [mm]
TKS-90	Ø50 - 90
TKS-110	Ø50 - 110
TKS-135	Ø50 - 135
TKS-165	Ø50 - 165
TKS-215	Ø50 - 215
TKS-270	Ø50 - 270
TKS-315	Ø50 - 315
TKS-325	Ø50 - 325
TKS-380	Ø50 - 380
TKS-525	Ø50 - 525
TKS-660	Ø50 - 660