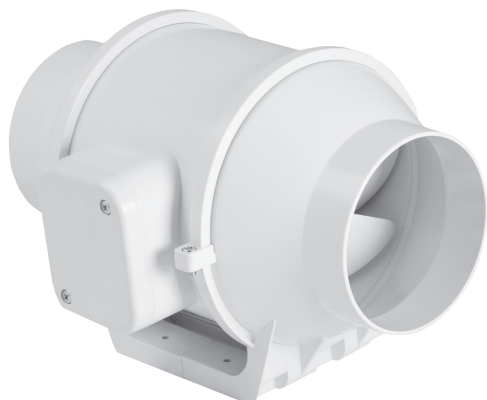


# Duct fans for round ventilation systems

## DV-PP-L

[Download Wentyle](#)  
[Download AlnorCAM](#)  
[Buy via B2B](#)



### Description

The DV-PP-L duct fan is used to supply and exhaust the air in ventilation ducts. The DV-PP-L duct fans are an ideal solution for the air exhaust in bathrooms and other rooms. Small sizes of the DV-PP-L fans facilitate the assembly in locations that are hard to access and where the space is limited.

#### Material:

- housing: polypropylene
- rotor: ABS

Protection class: IP44

#### Example of the designation

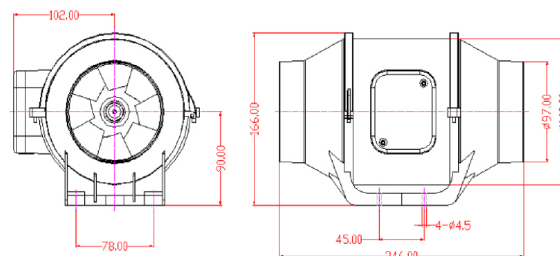
Product code: DV-PP-L - aaa

type  
 ØA

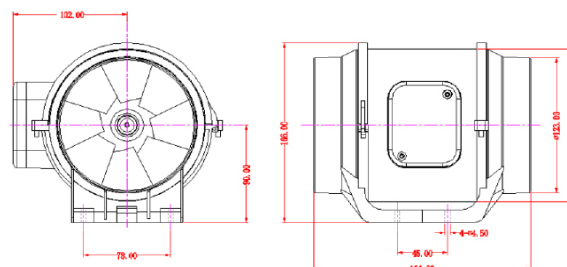


### Dimensions

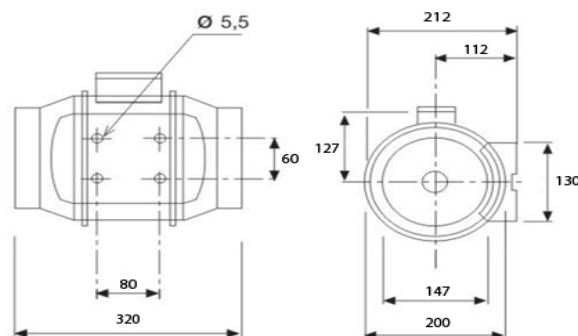
DV-PP-L-100



DV-PP-L-125



DV-PP-L-150



Type	Speed [rev/min]	Power consumption [W]	Current [A]	Capacity [m3/h]	Noise level [dB]	Voltage [V]	max. temp. [°C]	Protection class	Weight [kg]
DV-PP-L-100	2600	35	0,15	155	31	230	80	IP 44	1,5
DV-PP-L-125	2600	35	0,15	218	31	230	80	IP 44	1,5
DV-PP-L-150	2550	54	0,24	530	33	230	80	IP 44	2,7

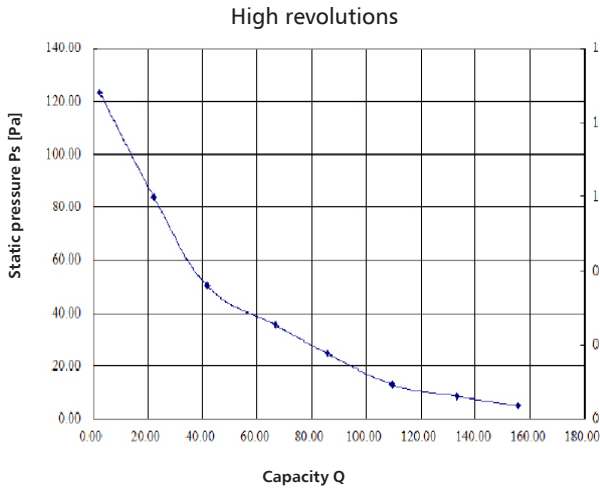
# Duct fans for round ventilation systems

## DV-PP-L

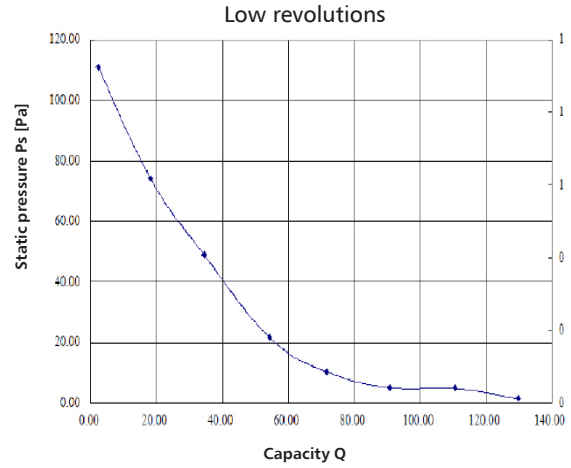
[Download Wentyle](#)  
[Download AlnorCAM](#)  
[Buy via B2B](#)

### Graphs

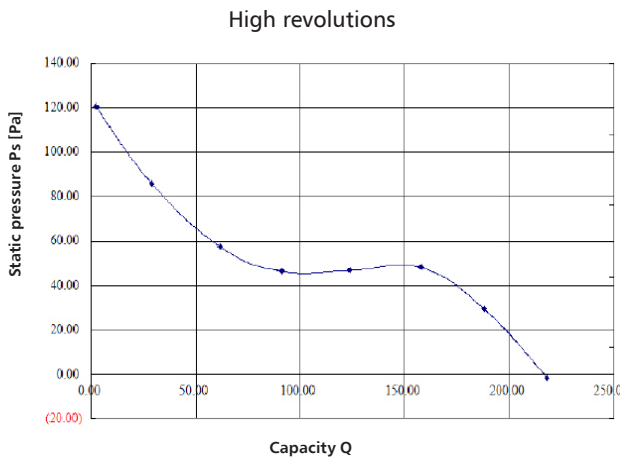
Flow characteristics of the DV-PP-L-100 fan



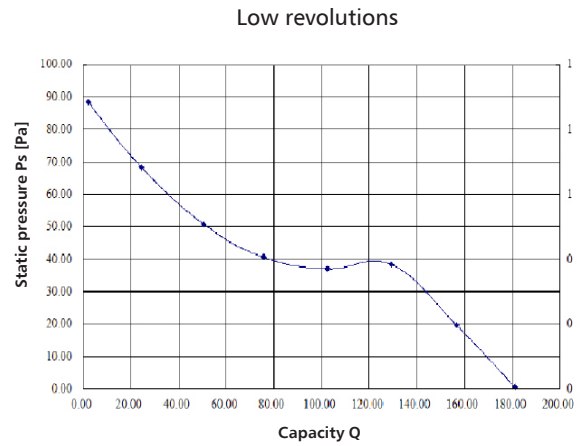
Flow characteristics of the DV-PP-L-100 fan



Flow characteristics of the DV-PP-L-125 fan



Flow characteristics of the DV-PP-L-125 fan



Flow characteristics of the DV-PP-L-150 fan

Low (LS) and High (HS) revolutions

