

## Description

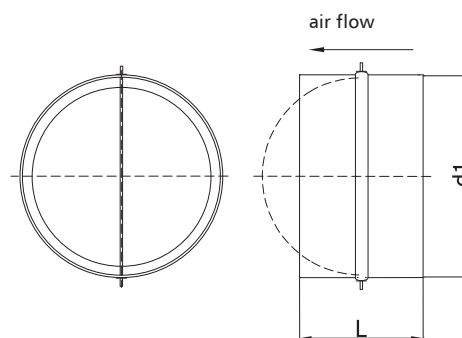
The DAOS damper has aluminium lamellae which open during the air flow in one direction and close when air is draught back. When no air is flowing, the lamellae are maintained in vertical position using a spring.

### Example identification

Product code:                      **DAOS-   aaa**

type \_\_\_\_\_  
 $\varnothing d_1$  \_\_\_\_\_

## Dimensions



$\varnothing d_1$ rated [mm]	L [mm]	weight [kg]
80	88	0,11
100	88	0,14
125	88	0,17
150	88	0,20
160	88	0,21
200	88	0,27
250	128	0,43
315	128	0,54
355	198	0,88
400	198	0,99
450	248	1,39
500	248	1,54

\* diameters of up to  $\varnothing 560$ mm are available upon request