



NENUTEC WATER - ROTARY VALVE ACTUATOR


WITH ELECTRONIC FAIL-SAFE® FUNCTION 5 Nm | OPEN-CLOSED CONTROL



FSBA24/230-05 SERIES

Rotary valve actuators with Electronic Fail-Safe® (EFS®) function are designed and produced for extended functionalities in HVAC systems fan coil and laboratory applications.

Electronic Fail-Safe® (EFS®) is able to manage short voltage interruptions for max. 4 seconds. In case of longer voltage interruption they will move the 2 - 3 way valves if necessary to a pre-defined emergency position (EPS).

- Torque 5 Nm
- NVCB... ball valve size DN15 / DN20
- Power supply
AC24V - 50/60 Hz - DC 24V / AC230V
- Control 2 point
- Digital greentech technology 
- Shaft dimensions
□ 9 mm square fix with bracket
NVCB... ball valve
- Selectable direction of rotation by switch
- Actuator with 1000 mm cable connection
- Customer version (on request)

Pictures might not correspond with technical data.

MODEL SELECTION TABLE

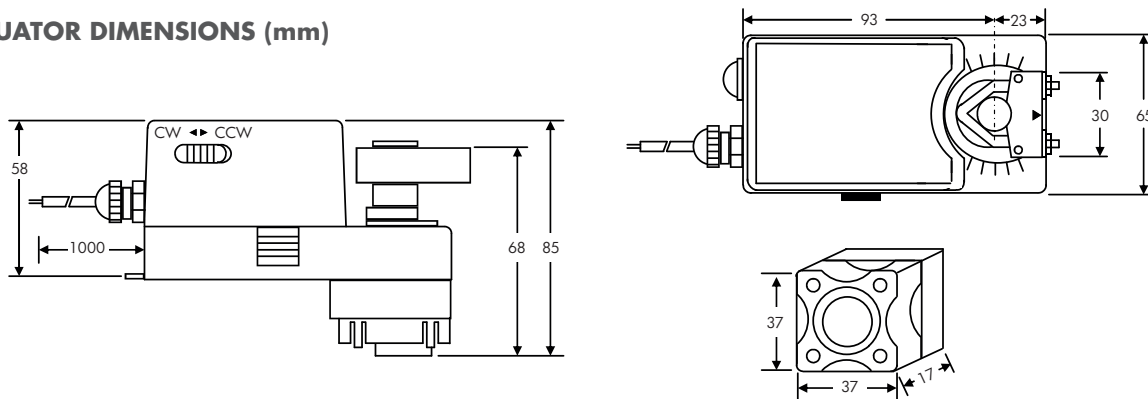
Torque	Running time (Power)	(Fail-Safe)	Power supply	Auxiliary switch	Model / Type
5 Nm	75...85 sec	25 sec	AC/DC 24 V ± 15%	No	FSBA24-05
5 Nm	75...85 sec	25 sec	AC 230 V ± 10%	No	FSBA230-05



NENUTEC WATER - ROTARY VALVE ACTUATOR

WITH ELECTRONIC FAIL-SAFE® FUNCTION 5 Nm | OPEN-CLOSED CONTROL

ACTUATOR DIMENSIONS (mm)



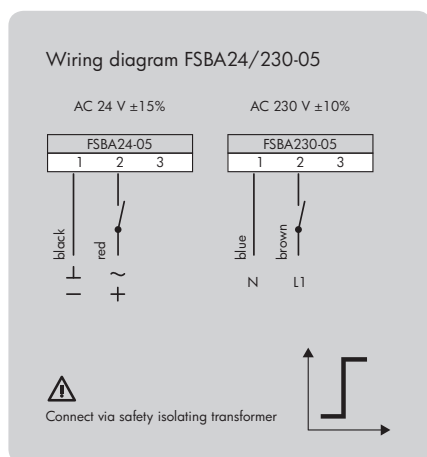
TECHNICAL SPECIFICATIONS

	FSBA24-05	FSBA230-05
Torque	5 Nm	5 Nm
Valve size	DN15 / DN20	DN15 / DN20
Shaft dimensions	□ 9 mm square fix with bracket	□ 9 mm square fix with bracket
Power supply	AC 24V / DC 24V ± 15%	AC 230V ± 10%
Frequency	50 - 60 Hz	50 - 60 Hz
Control signal	2 point	2 point
Power consumption		
- Operating	1.5 W	1.5 W
- End position	0.5 W	0.5 W
For wire sizing	14 VA	14 VA
Parallel operation	yes (review performance data)	yes (review performance data)
Protection class	III ⚡	II ⚡
Charging time comissioning	30 sec	30 sec
Angle of rotation	max. ↻ 95°	max. ↻ 95°
Angle of limiting	can be limited at both ends with adjustable mechanical end stops.	
Weight	< 0.6 kg	< 0.6 kg
Life cycle actuator	100'000 full cycles / 1'000'000 partial cycles	100'000 full cycles / 1'000'000 partial cycles
Sound level motor and EFS	42 dB (A)	42 dB (A)
IP protection	IP 54 (dust protected & protected against splash water)	IP 54 (dust protected & protected against splash water)
Operating temperature	-30°...+50° C / IEC 721-3-3	-30°...+50° C / IEC 721-3-3
Non-operating temperature	-40°...+80° C / IEC 721-3-2	-40°...+80° C / IEC 721-3-2
Ambient humidity	5%...95% rH non condensing	5%...95% rH non condensing
Maintenance	Maintenance free	Maintenance free
Mode of operation	Type I / EN 60730-1	Type I / EN 60730-1
EMC	CE according to 2004/108 / EC	CE according to 2004 / 108 / EC



NENUTEC WATER - ROTARY VALVE ACTUATOR

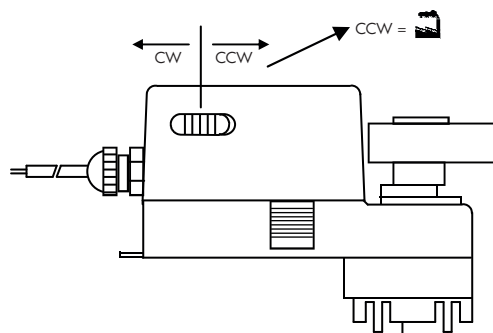
WITH ELECTRONIC FAIL-SAFE® FUNCTION 5 Nm | OPEN-CLOSED CONTROL



■ Changing direction of rotation FSBA24/230-05

Factory-set CCW!
The direction of rotation can be changed by pushing the CW/CCW switch on the actuator's housing.

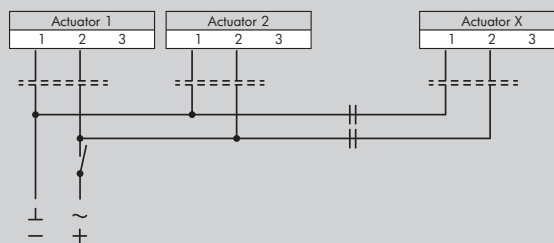
Ball valve actuators must operate CCW!



■ Information

- maximum 5 actuators can be connected in parallel.
- Parallel operation is permitted only on separated damper on valve axes.
- It is imperative that the performances data be observed.

Wiring diagram for parallel operation FSBA24/230-05



Connect via safety isolating transformer

PRODUCT FEATURES

■ Mode of operation

The FSBA actuator moves the valve into a fully open or to the desired operating position at the same time as integrated capacitors are loaded. Interruption of power supply causes the valve to be rotated back to a predefined emergency position (EPS).

■ Delivery conditions of FSBA actuators

Actuator is delivered completely discharged, which is why the actuator requires approx. 30 sec pre-charging time before initial commissioning. High functional reliability FS...actuators are overload protected and do not require any limit switches. The actuators stop automatically at the end position.




NENUTEC WATER - ROTARY VALVE ACTUATOR

WITH ELECTRONIC FAIL-SAFE® FUNCTION 5 Nm | OPEN-CLOSED CONTROL

SAFETY NOTES

- The FS... actuators are not allowed to be used outside the specified field of application as described at the front page of this data sheet.
- Only to be installed by skill educated persons. Any legal regulations or issued by authorities must be observed during installation.
- The FS... actuator may only opened by NENUTEC manufacturer site. Device does not contain any parts that can be replaced by user.
- The electrical connection cable must not be removed from the FS... actuator.
- This actuator includes electrical and electronic components and may not be disposed as household garbage. Please consider the local valid legislation.
- AC 24V - 50/60 Hz - DC 24V: Connect via safety isolating transformer.
- AC 230V: To isolate from the main power supply, the system must incorporate a device which disconnects the phase conductor (with at least 3 mm contact gap).

IMPORTANT REMARKS

This actuator includes electrical and electronic components and may not be disposed as household garbage. Please consider the local valid legislation. 

AC/DC 24 V: Connect via safety isolating transformer. AC 230 V: To isolate from the main power supply, the system must incorporate a device which disconnects the phase conductor (with at least a 3 mm contact gap).

Consult NENUTEC representatives for specific requirements and material selections for your intended application. The entire content of this technical datasheet is protected by copyright with all rights reserved ©.

The performance specifications are nominal and conform to acceptable industry standards. NENUTEC shall not be liable for damages resulting from misapplication or misuse of its products.

CUSTOMISED VERSION

NENUTEC offers you actuators in customised versions, e.g. with your own brand name, with colour-coordinated applications and with your particular demand on request.

Please contact us for further information.

NENUTEC AG

Schachenstrasse 80
CH - 8645 Jona/SG - Switzerland
T: +41 55 224 40 60
F: +41 55 224 40 69
www.nenutec.com

NENUTEC Asia Pacific Pte Ltd

7030 Ang Mo Kio Ave 5
569 880 Singapore
T: +65 6570 32 33
F: +65 6570 67 83
www.nenutec.com.sg

Distributor