

Bends

# BSL-90

[Download Wentyle](#)  
[Download AlnorCAM](#)  
[Buy via B2B](#)



## Description

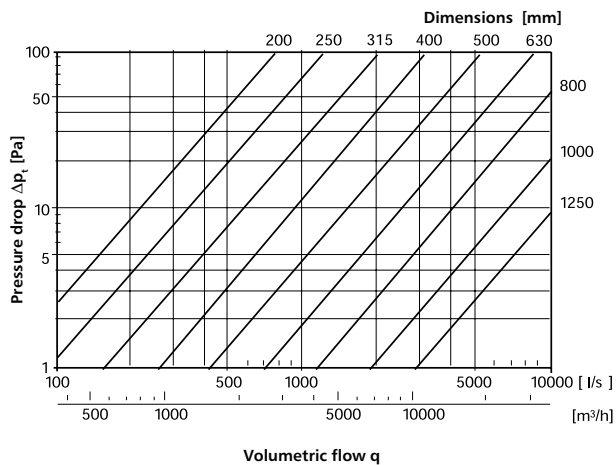
BSL – segmented bend with double EPDM gasket.  
 $r_m \approx 1 \times d_1$

### Example identification

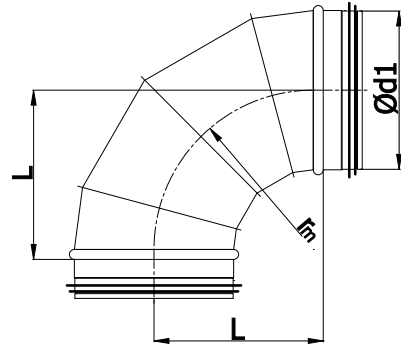
Product code: **BSL - aaa - 90**

type \_\_\_\_\_  
 $\varnothing d_1$  \_\_\_\_\_  
 $\circ$  \_\_\_\_\_

## Technical Data



## Dimensions



$r_m \approx 1 \times d_1$

$\varnothing d_1$ rated [mm]	L [mm]	weight [kg]
200	200	1,10
224	224	1,32
250	250	1,63
280	280	2,03
300	300	2,30
315	315	2,50
355	355	3,73
400	400	5,10
450	450	8,00
500	500	9,60
560	560	11,80
600	600	13,30
630	630	14,50
710	710	22,40
800	800	28,00
900	900	34,60
1000	1000	43,00
1120	1120	59,80
1250	1250	73,00
1400	1400	90,00
1500	1500	103,40
1600	1600	116,60