

Bends

BPL-90

[Download Wentyle](#)
[Download AlnorCAM](#)
[Buy via B2B](#)



Description

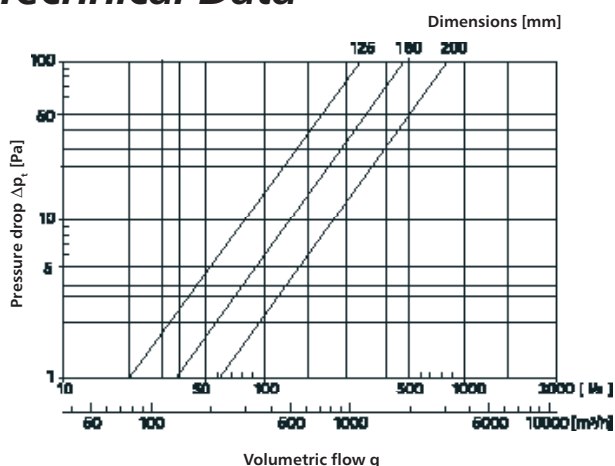
BPL - pressed bend with gasket, seam-welded, made of galvanized steel or stainless steel.

Example identification

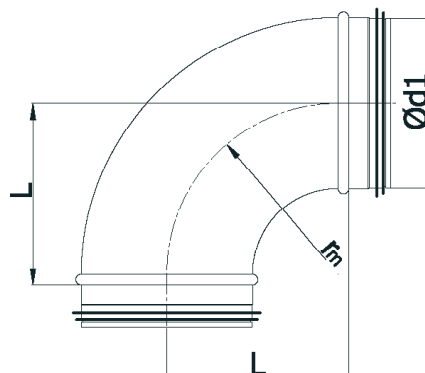
Product code: **BPL - aaa - 90**

type _____
 $\varnothing d_1$ _____
 \circ _____

Technical Data



Dimensions



$$r_m \approx 1 \times d_1$$

Made of galvanized steel

$\varnothing d_1$ nom [mm]	L [mm]	waga [kg]
80	100	0,3
100	100	0,4
125	125	0,6
140	135	0,8
150	150	0,9
160	160	1,0
180	175	1,2
200	200	1,5
224	225	2,0
250	250	2,4
280	275	3,7
300	300	3,7
315	315	3,7

Made of stainless steel

$\varnothing d_1$ nom [mm]	A [mm]	L [mm]	waga [kg]
100	100	100	0,4
125	125	125	0,6
160	160	160	1,0
200	200	200	1,5