

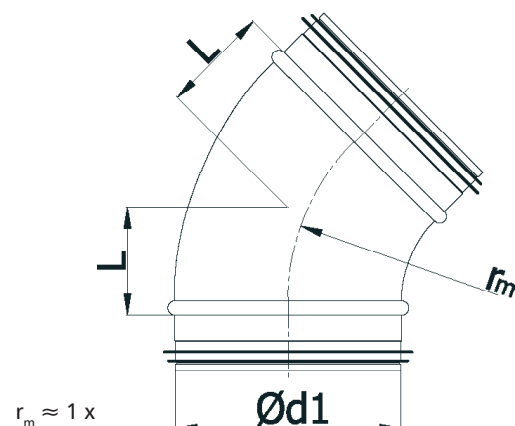
Bends

BPL-45

[Download Wentyle](#)
[Download AlnorCAM](#)
[Buy via B2B](#)



Dimensions



Description

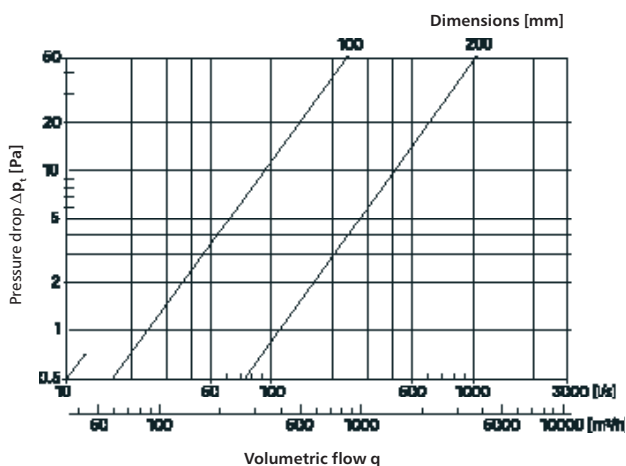
BPL – pressed bend, seam-welded, with gasket, made of galvanized steel or stainless steel.

Example identification

Product code: **BPL - aaa - 45**

type _____
 $\varnothing d_1$ _____
 \circ _____

Technical Data



Made of galvanized steel

$\varnothing d_1$ nom [mm]	L [mm]	waga [kg]
80	41	0,2
100	41	0,3
125	52	0,4
140	56	0,4
150	62	0,6
160	66	0,6
180	75	0,7
200	83	0,9
224	93	1,2
250	104	1,3
315	130	2,8

Made of stainless steel

$\varnothing d_1$ nom [mm]	A [mm]	L [mm]	waga [kg]
100	100	41	0,3
125	125	52	0,4
160	160	66	0,6
200	200	83	0,9