

Circular silencers

SIBL

[Download Wentyle](#)
[Download AlnorCAM](#)
[Buy via B2B](#)



Description

The silencers are usually supplied with SPIRAL®system sealing. Diameters $d_1 > 315$ mm require additional NSL couplings to be ordered, which should be installed in the silencer prior to installation. These male ends are not silencer parts, and they should be ordered separately.

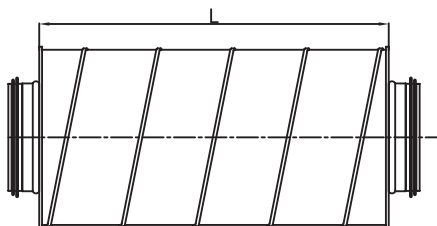
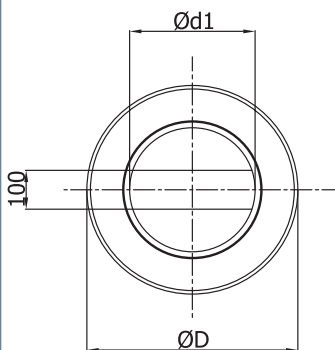
Glass mineral wool inside with thickness:
100 mm dla SIBL-100 - depending on the dimension of the outer casing

Example identification

Product code: **SIBL - aaa - bbb**

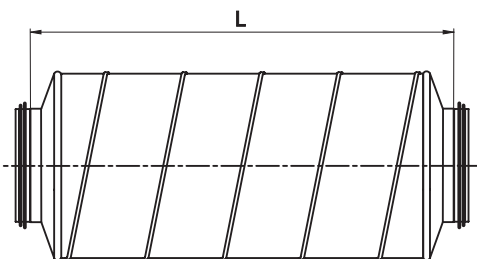
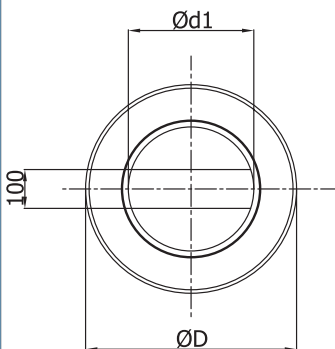
type _____
 $\varnothing d_1$ _____
 L _____

Dimensions



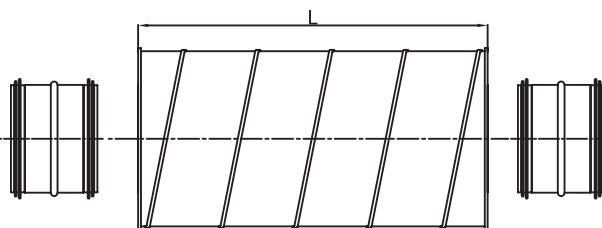
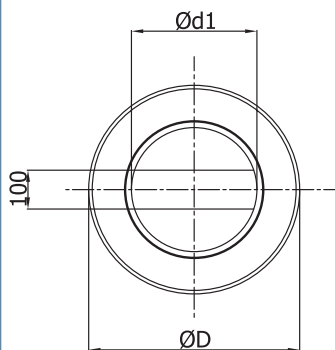
Cross-section for individual types: SIBL, SIBRL, $d_1 \leq 315$ mm.

Not applicable diameters: D-100, D-125, D-160, D-200, D-250 - in the embodiment of the insulation thickness of 50 mm.



Cross-section for silencers: SIBL, SIBRL in the embodiment of the insulation thickness of 50 mm and applicable diameters: D-100, D-125, D-160, D-200, d-250.

Silencers made with pressed reductions.



Cross-section for individual types: SIBL, SIBRL, $d_1 > 315$ mm

Dimensions

SIBL - 100 mm thickness insulation

Description	d_i rated [mm]	D rated [mm]	L [mm]	attenuation [dB] for frequency [Hz]						weight [kg]
				125	250	500	1000	2000	4000	
SIBL 315-600	315	500	600	7	15	18	26	34	24	15
315-900	315	500	900	11	18	26	37	40	28	22
315-1200	315	500	1200	15	21	33	41	46	40	29
SIBL 400-600	400	600	600	8	9	16	22	24	19	20
400-900	400	600	900	11	14	22	34	32	23	30
400-1200	400	600	1200	11	21	30	38	43	28	40
SIBL 500-900	500	710	900	8	12	19	27	21	19	40
500-1200	500	710	1200	10	16	26	35	29	22	53
SIBL 630-1200	630	800	1200	8	11	23	38	23	19	62
630-1500	630	800	1500	10	15	23	39	26	20	78
SIBL 800-1200	800	1000	1200	5	9	17	23	21	16	80
800-1500	800	1000	1500	5	12	19	26	23	18	99

Technical Data

