

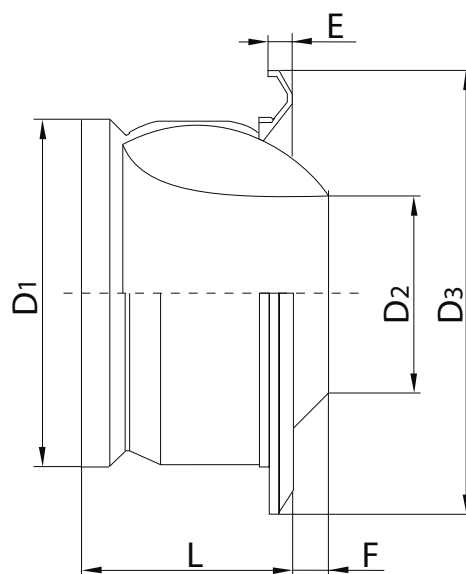
Long range nozzle

# KHA

[Download Wentyle](#)  
[Download AlnorCAM](#)  
[Buy via B2B](#)



## Dimension



## Description

Long range nozzles KHA are applicable in high premises with high volume such as theatre, cinema and industrial halls. High volume flow of air is accompanied by a low level of sound pressure what guarantees a large range of air supply.

It is possible to apply the nozzle both for horizontal and vertical air supply.

The design of the iris-type lifting element allows to change the stream of air in any direction for 30° without causing changes in resistance and sound power.

**Material:** aluminium

**Finish:** powder painted acc. to RAL 9016

**Standard colour:** white

### Example identification

Product code:                      **KHA**    -    **aaa**

type \_\_\_\_\_  
 ØD<sub>1</sub> \_\_\_\_\_

ØD <sub>1</sub> [mm]	ØD <sub>2</sub> [mm]	ØD <sub>3</sub> [mm]	E [mm]	F [mm]	L [mm]
100	55	148	20	-2	95
125	64	185	10	4	89
160	82	210	21	10	123
200	108	273	16	14	127
250	135	301	24	17	175
315	180	380	25	30	180
400	230	483	24	47	223
500	255	625	47	50	270

Technical Data

dim. [mm]	stream range									V [m/s]
	10 m			20 m			30 m			
	q [l/s]	L <sub>A</sub> dB(A)	pressure lost [Pa]	q [l/s]	L <sub>A</sub> dB(A)	pressure lost [Pa]	q [l/s]	L <sub>A</sub> dB(A)	pressure lost[Pa]	
100	-	-	-	95	86	29	140	175	39	0,25
125	-	-	-	124	71	25	180	136	36	
160	83	11	<20	162	26	<20	250	98	35	
200	100	-	<20	221	29	<20	306	69	27	
250	135	-	<20	276	8.3	<20	382	31	22	
315	180	-	<20	352	11	<20	540	39	20	
400	234	-	<20	468	8.0	<20	702	13	<20	
500	279	-	<20	527	6.5	<20	865	8	<20	
100	94	86	29	181	300	50	-	-	-	0,5
125	122	71	25	240	264	46	-	-	-	
160	165	26	<20	330	115	44	497	200	55	
200	220	29	<20	439	120	38	655	218	50	
250	274	8.3	<20	541	60	34	825	112	45	
315	350	11	<20	682	55	28	1055	104	40	
400	460	8	<20	914	32	20	1394	69	33	
500	545	6	<20	1233	21	15	1650	45	28	
100	187	300	50	-	-	-	-	-	-	1,0
125	249	265	42	-	-	-	-	-	-	
160	330	113	44	-	-	-	-	-	-	
200	435	123	38	875	312	-	-	-	-	
250	548	63	34	1100	160	53	-	-	-	
315	700	57	28	1400	150	48	2100	243	-	
400	930	32	20	1860	123	42	2796	265	50	
500	1146	26	14	2245	95	37	3280	290	49	

L<sub>A</sub> dB(A) - sound pressure level

q [l/s] - volumetric flow

V [m/s] - flow rate