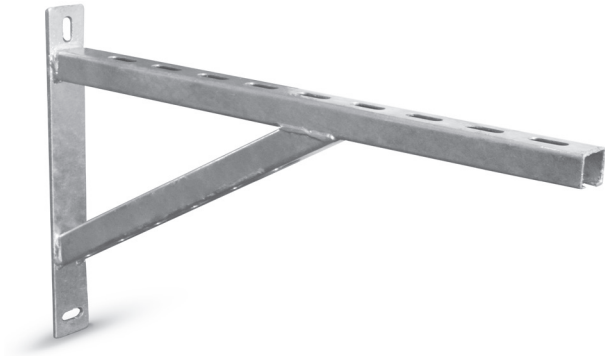
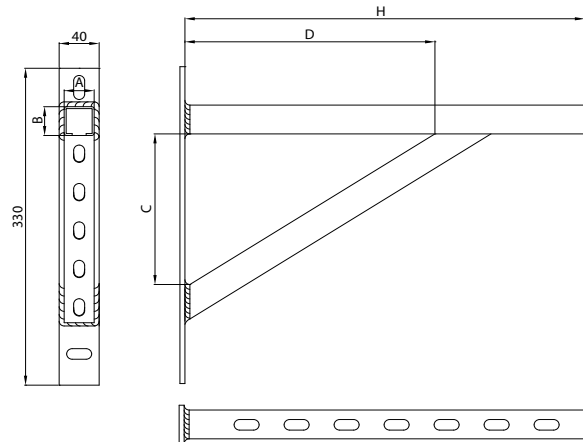


Console WK-LDB

[Download Wentyle](#)
[Download AlnorCAM](#)
[Buy via B2B](#)



Dimensions

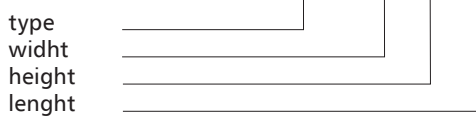


Description

Console WK-LDB is used for mounting rectangular ducts.

Example identification

Product code: **WK-LDB - A - B - H**



type	A [mm]	B [mm]	C [mm]	D [mm]	H [mm]
WK-LDB-30-30-400	30	30	160	245	400
WK-LDB-30-30-500	30	30	160	245	500
WK-LDB-30-30-600	30	30	195	340	600
WK-LDB-30-30-700	30	30	195	325	700
WK-LDB-41-21-400	41	21	160	245	400
WK-LDB-41-21-500	41	21	160	245	500
WK-LDB-41-21-600	41	21	195	340	600
WK-LDB-41-21-700	41	21	195	325	700
WK-LDB-41-41-400	41	41	160	245	400
WK-LDB-41-41-500	41	41	160	245	500
WK-LDB-41-41-600	41	41	195	340	600
WK-LDB-41-41-700	41	41	195	325	700

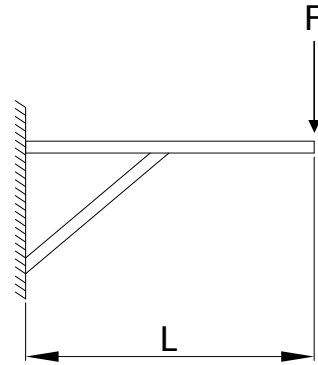
Console WK-LDB

[Download Wentyle](#)
[Download AlnorCAM](#)
[Buy via B2B](#)

Permissible load Console WK-LDB the action of a concentrated force

Code	Support spacing L [mm]	Permissible load F [N]
WK-LDB-30-30-400	400	1748
WK-LDB-30-30-500	500	971
WK-LDB-30-30-600	600	950
WK-LDB-30-30-700	700	594

Load diagram



Permissible load Console WK-LDB with the force of a continuous, linear

Code	Support spacing L [mm]	Permissible load q [N]
WK-LDB-30-30-400	400	3495
WK-LDB-30-30-500	500	1942
WK-LDB-30-30-600	600	1899
WK-LDB-30-30-700	700	1324

Load diagram

