

Heat and energy recovery ventilators

HRU-ERGO

[Download Wentyle](#)
[Download AlnorCAM](#)
[Buy via B2B](#)



Description

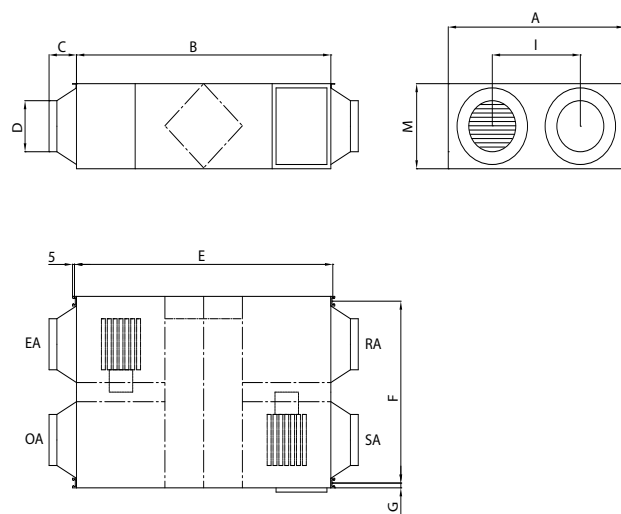
Heat and energy recovery ventilator HRU-ERGO has high efficient counter flow heat exchanger. Total heat exchanger is made of ER paper which is featured by high moisture permeability, good air tightness, excellent tear resistance, and aging resistance. The clearance between the fibers is very small, so only the moisture molecules of small diameter can go through, the odor molecules of larger diameter are unable to pass through it. By this means, the temperature and humidity can be recovered smoothly, and prevent the pollutants infiltrating to the fresh air. HRU-ERGO has 3 speeds, double filters. Airflow from 250m³/h to 1000m³/h.

Example identification

Product code: **HRU - ERGO - 250**

type

Dimensions



EA - exhaust air
 OA - outdoor air
 RA - room air
 SA - supply air

Model	Air flow [m ³ /h]			External pressure [Pa]			Enthalpy Efficiency[%]						Temp. Efficiency [%]	Noise [dB]	Voltage [V]	Current [A]	Rated Power [W]	Weight [kg]				
							Summer			Winter												
	L	M	H	L	M	H	L	M	H	L	M	H							L	M	H	
HRU-ERGO-250	165	250	250	30	70	85	67	63	63	73	70	70	77	75	75	22	26	27	230	0,56	117	29
HRU-ERGO-350	270	350	350	36	60	90	67	66	66	72	69	69	77	75	75	25	29	31	230	0,72	150	37
HRU-ERGO-500	360	500	500	30	60	100	68	62	62	72	67	67	78	75	75	25	31	33	230	0,96	200	43
HRU-ERGO-650	515	650	650	25	40	70	68	65	65	70	68	68	77	75	75	30	34	35	230	1,40	295	64
HRU-ERGO-800	625	800	800	60	98	120	68	65	65	74	71	71	77	75	75	32	36	38	230	1,70	355	71
HRU-ERGO-1000	780	1000	1000	25	35	85	68	65	65	74	71	71	77	75	75	31	36	38	230	2,10	440	83

L - first gear M - second gear H - third gear

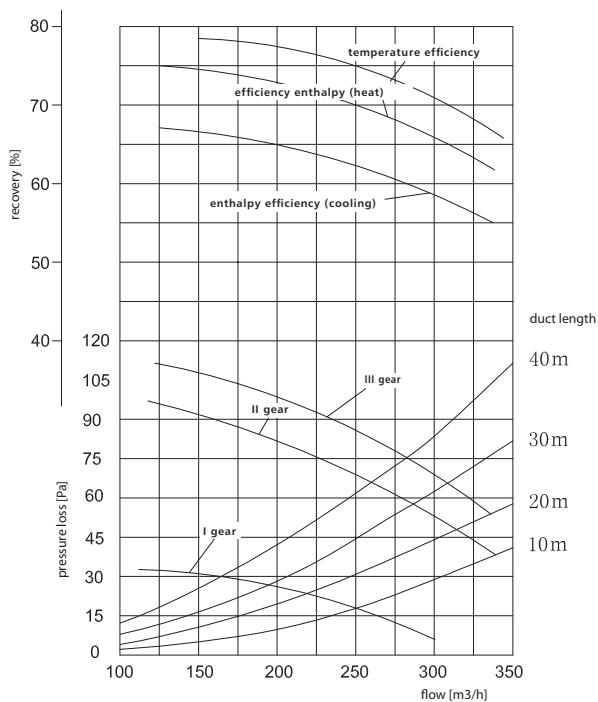
Dimensions

Model	Dimensions								
	A [mm]	B [mm]	C [mm]	D [mm]	E [mm]	F [mm]	G [mm]	I [mm]	M [mm]
HRU-ERGO-250	599	920	100	160	850	657	19	315	264
HRU-ERGO-350	804	882	100	160	813	860	19	480	270
HRU-ERGO-500	904	962	107	200	890	960	19	500	270
HRU-ERGO-650	884	1222	107	200	1150	940	19	480	340
HRU-ERGO-800	884	1322	85	250	1250	940	19	428	388
HRU-ERGO-1000	1134	1322	85	250	1250	1190	19	678	388

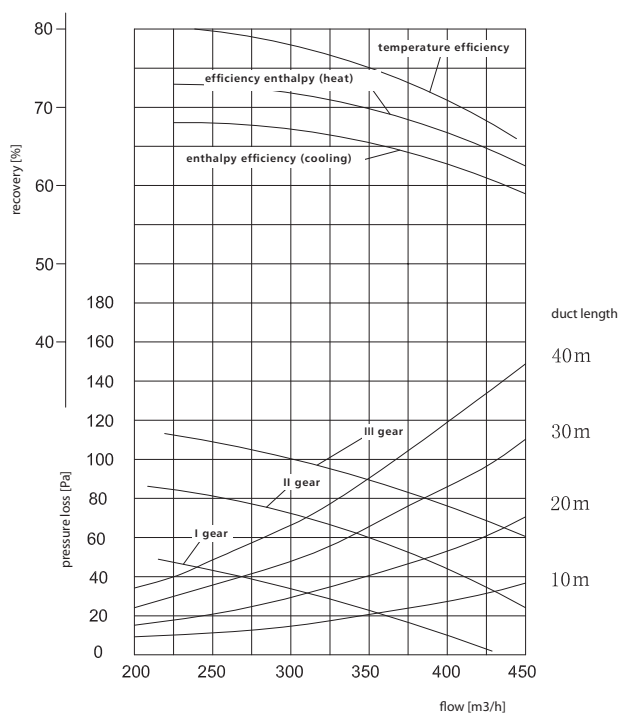
Technical data

Charts

HRU-ERGO-250



HRU-ERGO-350



Heat and energy recovery ventilators

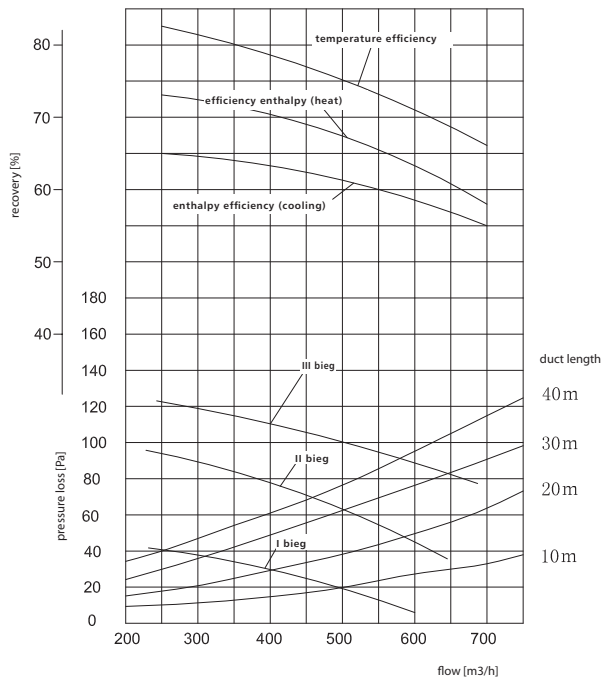
HRU-ERGO

[Download Wentyle](#)
[Download AlnorCAM](#)
[Buy via B2B](#)

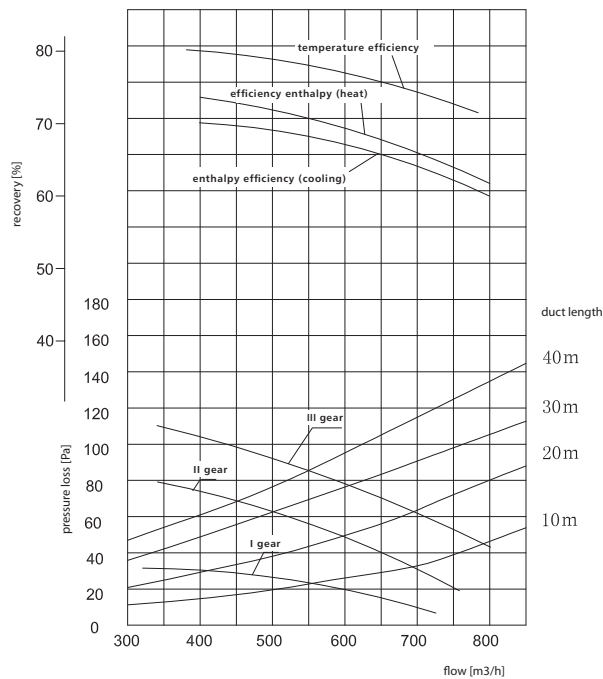
Technical data

Charts

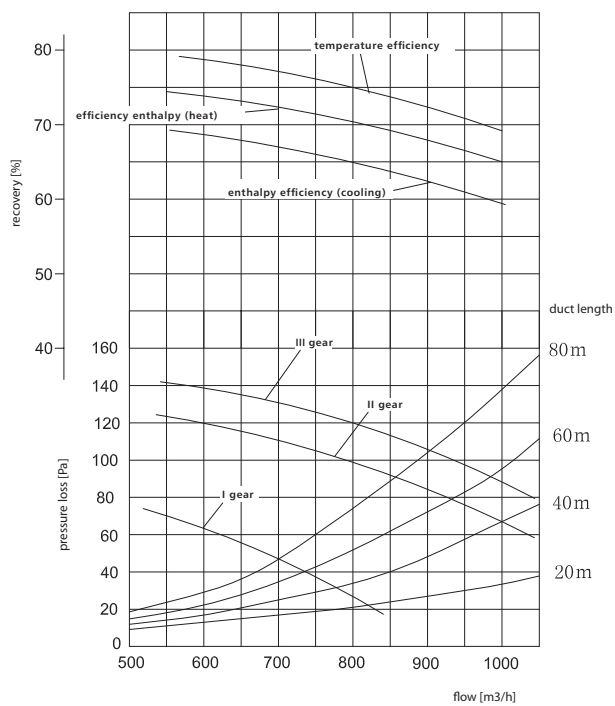
HRU-ERGO-500



HRU-ERGO-650



HRU-ERGO-800



HRU-ERGO-1000

