

# Airtight Shut-off Dampers

## DATL/DAT

[Download Wentyle](#)  
[Download AlnorCAM](#)  
[Buy via B2B](#)



### Description

The DATL/DAT damper is designed so as to admit an insulation thickness of up to 50mm. The DATL/DAT damper is applicable wherever completely airtight shut-off is required. The damper blade can be adjusted on the handle within a range of 0° to 90°. The blade can be locked using a screw.

DAT – airtight shut-off damper

DATL – airtight shut-off damper with gaskets on flanges.

For each damper DATL/DAT 355 including the diameter of the center

is made with extra reinforcement.

For each diameter of the dampers DATL/DAT 450 is attached mechanism including KIT-DS-H.

Normally made of galvanized steel.

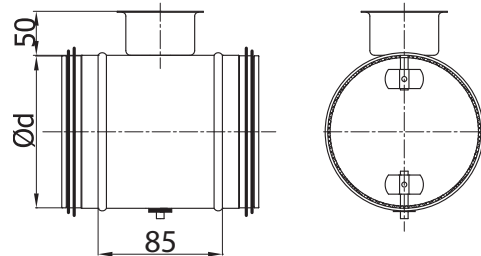
#### Example identification

Product code: **DATL - aaa**

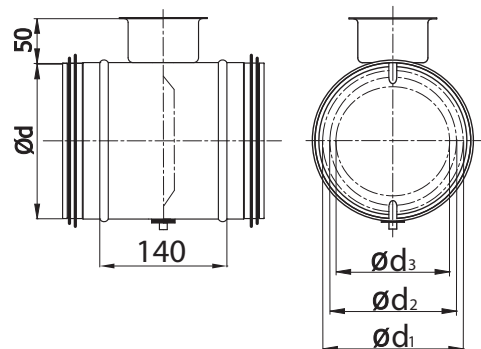
type \_\_\_\_\_  
 $\varnothing d_1$  \_\_\_\_\_

### Dimensions

for  $d_1 < 355$  center of damper is mounted on two short rods



for  $d_1 \geq 355$  center of damper is mounted on a long rod



80	-	-	-	0,40
100	-	-	-	0,45
125	-	-	-	0,55
140	-	-	-	0,60
150	-	-	-	0,65
160	-	-	-	0,70
180	-	-	-	0,75
200	-	-	-	0,80
224	-	-	-	0,90
250	-	-	-	1,20
280	-	-	-	1,40
300	-	-	-	1,50
315	-	-	-	1,60
355*	330	263	295	2,70
400*	330	263	295	3,30
450*	370	337	293	4,50
500*	370	337	293	5,00
560*	490	457	413	6,30
600*	490	457	413	6,70
630*	490	457	413	7,20

\*performance with extra reinforcement