

# Bends

# BPKL/BPKFL-90

[Download Wentyle](#)  
[Download AlnorCAM](#)  
[Buy via B2B](#)



## Description

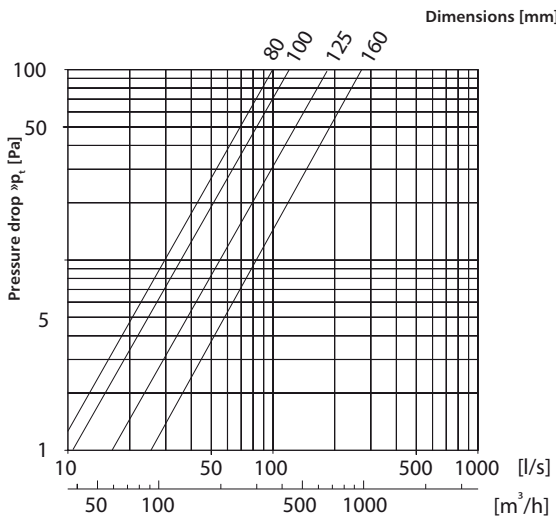
BPKL - pressed short bend, seam-welded, with biddings, safe edges and EPDM gasket  
 BPKFL – pressed short bend female - male, seam-welded, with biddings, safe edges and EPDM gasket.  
 Ideal for valve mounting frames RM and RML.  
 Pressed bends requires less installation space.

### Example identification

Product code: **BPKL - aaa - 90**

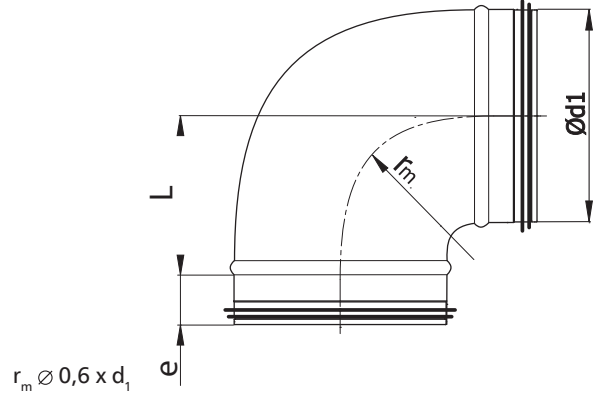
type \_\_\_\_\_  
 $\varnothing d_1$  \_\_\_\_\_  
 $\circ$  \_\_\_\_\_

## Technical Data

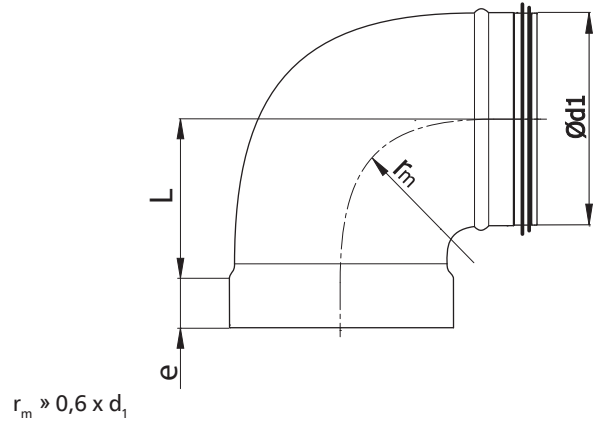


## Dimensions

### BPKL



### BPKFL



$\varnothing d_1$ nom [mm]	L [mm]	e [mm]	weight [kg]
80	52	36	0,2
100	62	36	0,3
125	75	36	0,4
150	87	36	0,5
160	92	36	0,6
200	112	36	0,8