

# Round intake diffuser

## NCD

[Download Wentyle](#)  
[Download AlnorCAM](#)  
[Buy via B2B](#)



### Description

The NCD round intake diffusers are designed for low- and medium-pressure intake and exhaust ventilation and air-condition systems. They can operate with constant and changeable air flow. Air can be blown as well in vertical as in horizontal plane with temperature lower or higher than inside temperature.

The diffusers are light and easily assembled. It is possible to assemble them together with a distributor box. Using the PRO distributor box enables to obtain a uniform air flow as well as damping effect when insulated box is used.

Material: aluminium

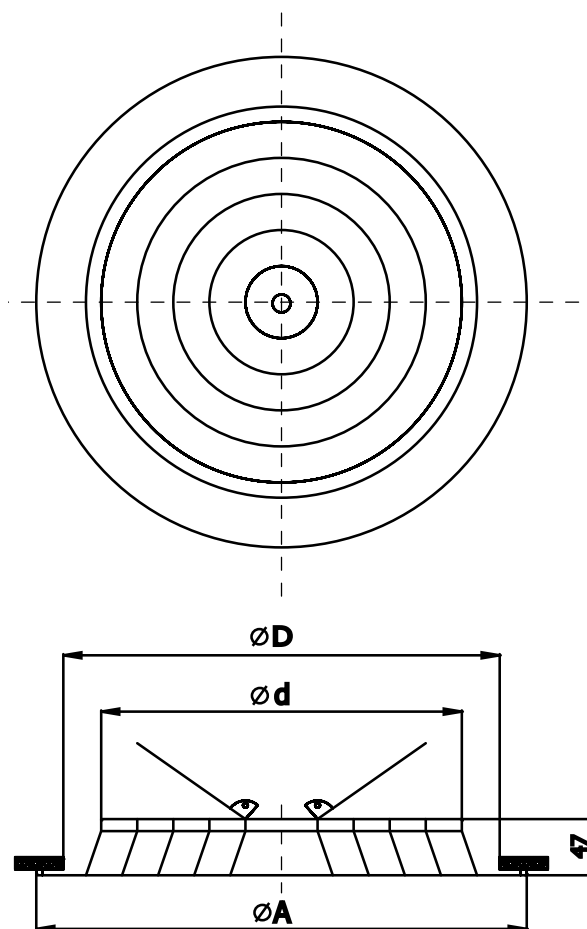
Finishing: powder-painted according to RAL 9016

#### Example identification

Product code: **NCD**    **aaa**

type \_\_\_\_\_  
 size \_\_\_\_\_

### Dimensions



size	ØA [mm]	Ød [mm]	ØD [mm]
150	257	149	225
200	307	199	275
250	357	249	325
300	407	299	375
350	457	349	425

\* typically mounted to the box PRO or RM-NCD

# Round intake diffuser

## NCD

[Download Wentyle](#)  
[Download AlnorCAM](#)  
[Buy via B2B](#)

### Technical data

Table

Capacity (m <sup>3</sup> /h)	Size	150	200	250	300	350
100	Speed v (m/s)	2,75	1,2	0,77	0,54	0,4
	Ps (Pa)	7	3	2	2	2
	Tmin (m)	0,5	0,33	0,27	0,22	0,19
	Tmax (m)	0,92	0,7	0,61	0,55	0,51
	NC (dB(A))	<15	<15	<15	<15	<15
150	Speed v (m/s)	4,12	1,79	1,16	0,81	0,6
	Ps (Pa)	13	4	3	2	2
	Tmin (m)	0,75	0,49	0,4	0,33	0,29
	Tmax (m)	1,25	0,92	0,79	0,7	0,64
	NC (dB(A))	<15	<15	<15	<15	<15
200	Speed v (m/s)	5,5	2,39	1,55	1,08	0,81
	Ps (Pa)	22	6	3	3	2
	Tmin (m)	1	0,66	0,53	0,44	0,38
	Tmax (m)	1,59	1,13	0,96	0,85	0,77
	NC (dB(A))	<15	<15	<15	<15	<15
250	Speed v (m/s)	6,87	2,99	1,94	1,35	1,01
	Ps (Pa)	33	8	4	3	3
	Tmin (m)	1,24	0,82	0,66	0,55	0,48
	Tmax (m)	1,92	1,35	1,14	0,99	0,89
	NC (dB(A))	32	18	<15	<15	<15
300	Speed v (m/s)	8,25	3,59	2,32	1,61	1,21
	Ps (Pa)	47	10	5	4	3
	Tmin (m)	1,49	0,99	0,79	0,66	0,57
	Tmax (m)	2,25	1,57	1,32	1,14	1,02
	NC (dB(A))	37	24	<15	<15	<15
350	Speed v (m/s)	9,62	4,18	2,71	1,88	1,41
	Ps (Pa)	63	13	7	4	3
	Tmin (m)	1,74	1,15	0,93	0,77	0,67
	Tmax (m)	2,58	1,79	1,49	1,29	1,15
	NC (dB(A))	41	28	18	<15	<15
400	Speed v (m/s)	10,99	4,78	3,1	2,15	1,61
	Ps (Pa)	82	17	8	5	4
	Tmin (m)	1,99	1,31	1,06	0,88	0,76
	Tmax (m)	2,91	2,01	1,67	1,43	1,28
	NC (dB(A))	45	32	21	<15	<15
450	Speed v (m/s)	12,37	5,38	3,49	2,42	1,81
	Ps (Pa)	103	21	10	6	4
	Tmin (m)	2,24	1,48	1,19	0,99	0,86
	Tmax (m)	3,24	2,23	1,84	1,58	1,4
	NC (dB(A))	48	35	25	16	<15
500	Speed v (m/s)		5,98	3,87	2,69	2,02
	Ps (Pa)		26	12	7	5
	Tmin (m)		1,64	1,32	1,1	0,95
	Tmax (m)		2,45	2,02	1,73	1,53
	NC (dB(A))		38	28	19	<15