

Insulated air supply valves

KNI

[Download Wentyle](#)
[Download AlnorCAM](#)
[Buy via B2B](#)



Description

The KNI air supply valve is designed for mounting on ceilings, walls or directly on ducts with use of the special assembly frame RM. The KNI valve has a continuous adjustment of inlet air by rotating central disc. Selected slot can be fixed by means of a fixing nut. Special construction of the valve ensures a low level of noise as well as easy and fast assembly.

Material: galvanized steel sheet
Finishing: glossy powder painted acc. to RAL 9016
Standard colour: white

Example identification

Product code: KNI - aaa

type _____
 Ød _____

* as standard complete with mounting frame

Technical Data

Parameters

Volumetric flow q (l/s or m^3/h), total pressure loss P_t (Pa), and acoustic pressure level L_A (dB(A)), can be read from the figure.

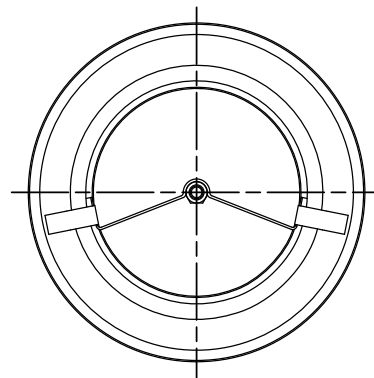
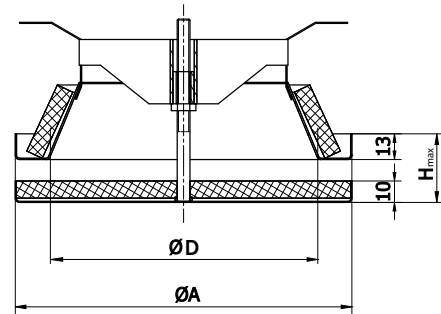
Pressure losses P_t

The figures show total pressure loss P_t (Pa).

Acoustic pressure level, L_A

The figure shows acoustic pressure level L_A (dB(A)). The noise level is specified for a room attenuation of 4dB, which translates into attenuation in the reverberation zone of the SABINE room with an acoustic absorption of 10 m^2 .

Dimensions



$\varnothing D$ nom [mm]	$\varnothing A$ [mm]	H_{max} [mm]	weight [kg]
80	115	45	0,19
100	137	45	0,26
125	164	45	0,33
160	212	45	0,48
200	248	45	0,65

Acoustic pressure level, L_A (dB(A))

dimension [mm]	average frequency (Hz)						
	125	250	500	1000	2000	4000	8000
80	6	3	2	1	-4	-16	-20
100	4	3	2	0	-7	-15	-30
125	2	7	3	-2	-10	-20	-32
160	5	7	3	-2	-10	-19	-32
200	8	6	4	-3	-10	-19	-32
tolerance	3	2	2	2	2	2	3

Sound attenuation (dB)

dimension [mm]	average frequency (Hz)							
	63	125	250	500	1000	2000	4000	8000
80	22	19	14	11	2	3	7	8
100	22	16	11	8	6	6	3	6
125	20	15	9	6	4	3	3	5
160	18	13	8	5	4	4	5	6
200	17	11	7	6	6	5	6	6
tolerance	6	3	2	2	2	2	2	3

Insulated air supply valves



[Download Wentyle](#)
[Download AlnorCAM](#)
[Buy via B2B](#)

Technical Data

Selection charts

