

FLX-USZ...



Description

FLX-USZ washers are used for sealing connections. Based on their intended application, they are made of EPDM or foam. FLX-USZ-75/ FLX-USZ-90 - made of EPDM plastic, is used to seal duct connection points

FLX-USP-75/ FLX-USP-90 - made of foam is used to seal plenum box-duct connections. On special request, it is possible to make FLX-UST-75 i FLX-UST-90 washers.

FLX-UST-75/ FLX-UST-90 - is a thermo-shrink washer to connect and seal two ducts or a plenum box and a duct.

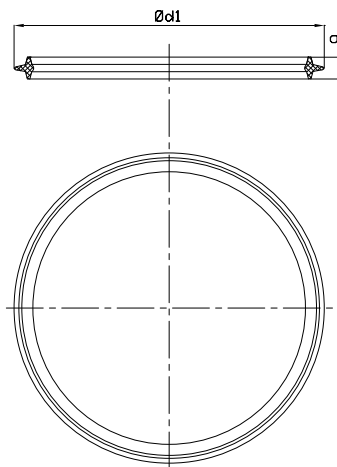
Example

Product code: **FLX-USZ - 75**

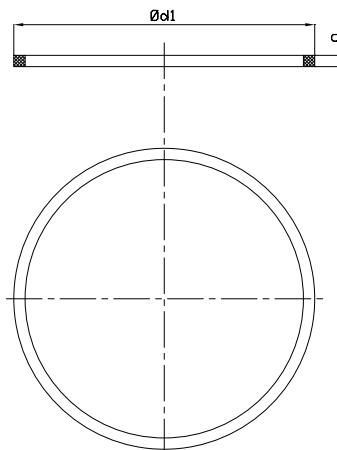
type _____
 diameter _____

Dimensions

FLX-USZ-75



FLX-USP-75



code	d1 [mm]	g [mm]
FLX-USZ-75	78	8
FLX-USP-75	75	6
FLX-USZ-90	93	8
FLX-USP-90	90	6