

Suspension Rings CLR/CLRL

[Download Wentyle](#)
[Download AlnorCAM](#)
[Buy via B2B](#)



Description

CLR - Suspension ring for round ducts. Consisting of two parts that are assembled with screws, with a quick release system on one side.

CLRL - Suspension ring with vibration-damping EPDM rubber.

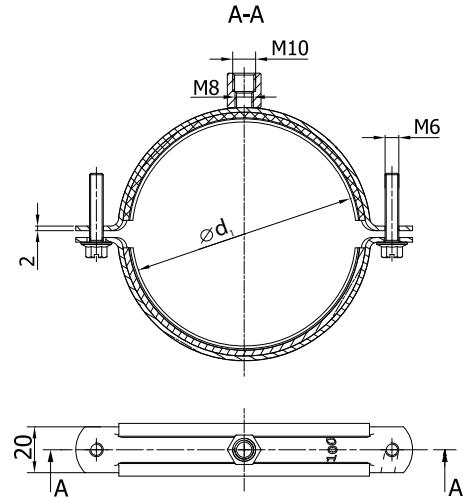
Example identification

Product code: **CLRL** - **aaa**
 type _____
 ØD _____

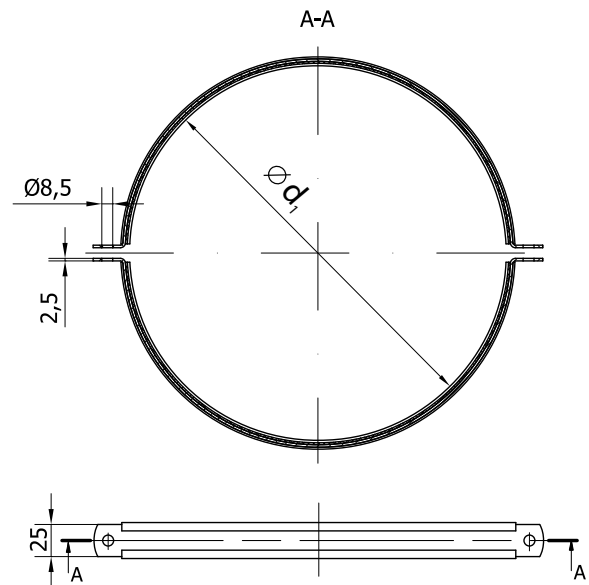
ØD rated [mm]	weight [kg]	ØD rated [mm]	weight [kg]
80	0,2	400	0,5
100	0,2	450	0,6
112	0,2	500	0,6
125	0,2	560	0,7
140	0,2	600	0,7
150	0,2	630	0,8
160	0,2	710	0,9
180	0,3	800	1,1
200	0,3	900	1,2
224	0,3	1000	1,3
250	0,3	1120	1,5
280	0,3	1250	1,6
300	0,4	1400	1,9
315	0,4	1500	2,0
355	0,5	1600	2,2

Dimensions

For diameters $d_1 \leq 400$ mm



For diameters $d_1 \geq 450$ mm



* The rings with diameters from $d_1 \geq 450$ mm on are supplied without combined nuts and are hung up two threaded rods

